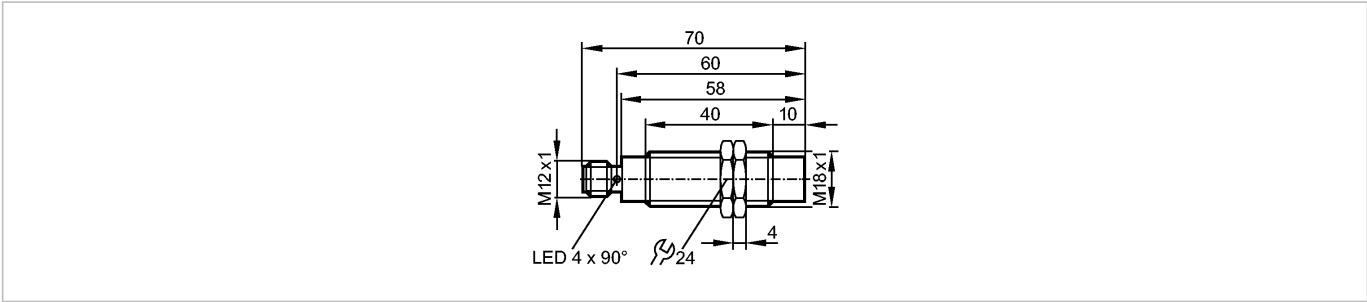


IGS209

IGKC012-ASKG/M/US-104-DRS/2LED

Inductive sensors



Product characteristics

Inductive sensor
Metal thread M18 x 1
Quick disconnect
Operation as 3-wire or 2-wire possible
Increased sensing range
Optical setting aid (2 LED)
gold-plated contacts
Sensing range 12 mm; [nf] non-flush mountable

Electrical data

Electrical design	3-wire DC PNP; 2-wire DC PNP/NPN
Operating voltage [V]	10...30 DC
Current consumption [mA]	12 (24 V)
Protection class	II
Reverse polarity protection	yes

Outputs

Output function	normally open
Voltage drop [V]	< 2.8
Minimum load current [mA]	2; only in 2-wire operation
Leakage current [mA]	< 0.5; only in 2-wire operation
Current rating [mA]	100
Short-circuit protection	yes (non-latching)
Overload protection	yes
Switching frequency [Hz]	300

Monitoring range

Sensing range [mm]	12
Real sensing range (Sr) [mm]	12 ± 10 %
Operating distance [mm]	0...9.7

Accuracy / deviations

Correction factors	mild steel = 1 / stainless steel approx. 0.7 / brass approx. 0.5 / aluminium approx. 0.4 / copper approx. 0.3
Hysteresis [% of Sr]	3...15
Switch-point drift [% of Sr]	-10...10

Environment

Ambient temperature [°C]	-25...70
Protection	IP 67

Tests / approvals

IGS209

IGKC012-ASKG/M/US-104-DRS/2LED

Inductive sensors

EMC	EN 61000-4-2 ESD: 4 kV CD / 8 kV AD EN 61000-4-3 HF radiated: 10 V/m EN 61000-4-4 Burst: 2 kV EN 61000-4-6 HF conducted: 10 V EN 55011: class B
MTTF [Years]	1359

Mechanical data

Mounting	non-flush mountable
Housing materials	brass white bronze coated; active face: PBT (Pocan)
Weight [kg]	0.055

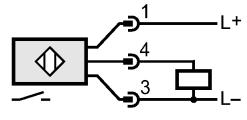
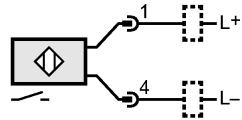
Displays / operating elements

Output status indication LED	yellow (4 x 90°)
Setting aid LED	red

Electrical connection

Connection	M12 connector; gold-plated contacts
------------	-------------------------------------

Wiring



Accessories

Accessories (included)	2 lock nuts
------------------------	-------------

Remarks

Remarks	suitable for PLC type 1 according to IEC 61131-2
Pack quantity [piece]	1