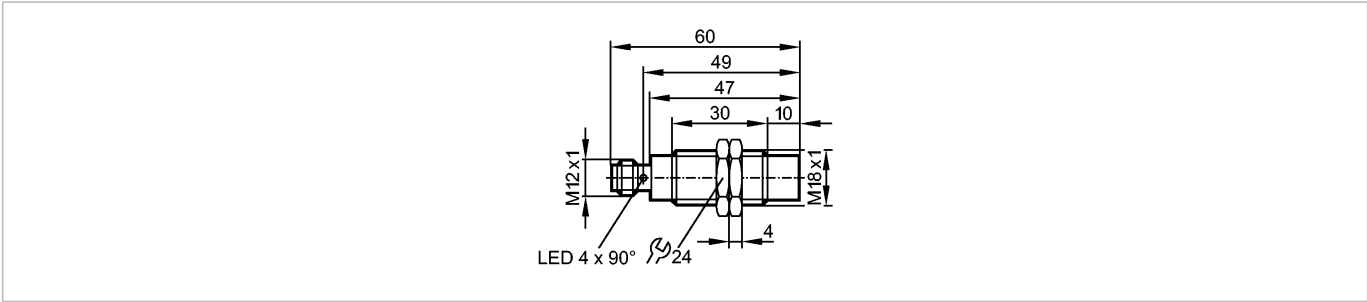


IG6084

IGK3008A2PKG/US

Inductive sensors



Product characteristics

Inductive sensor
Metal thread M18 x 1
Connector
Analogue output 0...10 V (linear, gradient: 1.389 V/mm) *
Measuring range 0.8...8 mm; [nf] non-flush mountable

Electrical data

Electrical design	DC analogue
Operating voltage [V]	15...30 DC
Current consumption [mA]	< 20
Protection class	II
Reverse polarity protection	yes

Outputs

Output function	0...10 V analogue
Min. load [Ω]	2000
Short-circuit protection	yes
Overload protection	yes

Range

Measuring range [mm]	0.8...8
----------------------	---------

Accuracy / deviations

Correction factors	mild steel = 1 / stainless steel approx. 0.7 / brass approx. 0.5 / Al approx. 0.4 / Cu approx. 0.3
Linearity error	$\pm 1\%$; of UA max
Repeatability	$\pm 1\%$; of UA max
Temperature coefficient	$\pm 5\%$; of UA max

Reaction times

Response time [ms]	< 10
--------------------	------

Environment

Ambient temperature [°C]	-25...80
Protection	IP 67

Tests / approvals

EMC	DIN EN 60947-5-2
MTTF [Years]	1005

Mechanical data

Mounting	non-flush mountable
Housing materials	housing: Brass white bronze coated; active face: PBT

IG6084

IGK3008A2PKG/US

Inductive sensors

Weight	[kg]	0.063
--------	------	-------

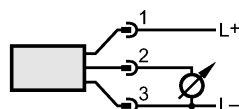
Displays / operating elements

Display	within the operating range yellow (permanently lit) outside the operating range yellow (flashing)
---------	--

Electrical connection

Connection	M12 connector
------------	---------------

Wiring



Accessories

Accessories (included)	2 lock nuts
------------------------	-------------

Remarks

Remarks	*) for target 24x24x1 mm made of mild steel and frontal approach
---------	--

Pack quantity	[piece]	1
---------------	---------	---