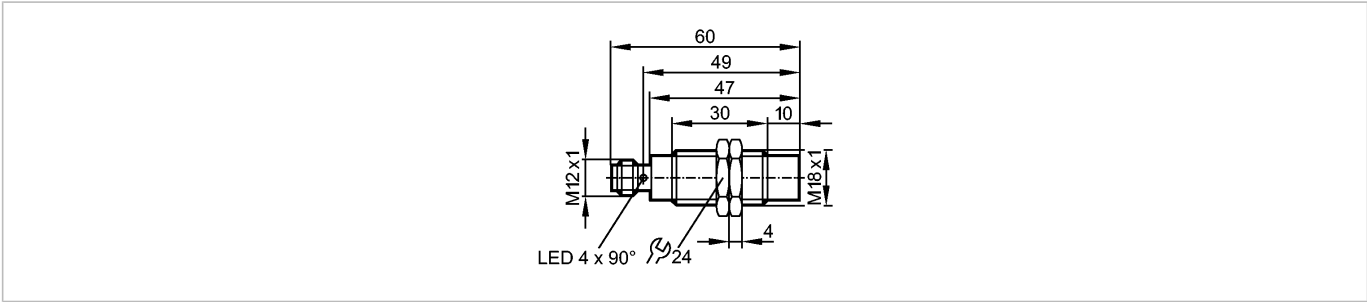


IG6083

IGK3008A1PKG/US

Inductive sensors



Product characteristics

Inductive sensor
Metal thread M18 x 1
Connector
Analogue output 4...20 mA (linear, gradient: 2.22 mA/mm *)
Measuring range 0.8...8 mm; [nf] non-flush mountable

Electrical data

Electrical design	DC analogue
Operating voltage [V]	15...30 DC
Current consumption [mA]	< 20
Protection class	II
Reverse polarity protection	yes

Outputs

Output function	4...20 mA analogue
Max. load [Ω]	500
Short-circuit protection	yes
Overload protection	yes

Range

Measuring range [mm]	0.8...8
----------------------	---------

Accuracy / deviations

Correction factors	mild steel = 1 / stainless steel approx. 0.7 / brass approx. 0.5 / Al approx. 0.4 / Cu approx. 0.3
Linearity error	± 1 %; of IA max
Repeatability	± 1 %; of IA max
Temperature coefficient	± 5 %; of IA max

Reaction times

Response time [ms]	< 10
--------------------	------

Environment

Ambient temperature [°C]	-25...80
Protection	IP 67

Tests / approvals

MTTF [Years]	936
--------------	-----

Mechanical data

Mounting	non-flush mountable
Housing materials	housing: Brass white bronze coated; active face: PBT
Weight [kg]	0.062

IG6083

IGK3008A1PKG/US

Inductive sensors

Displays / operating elements

Display

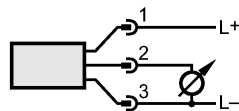
within the operating range yellow (permanently lit)
outside the operating range yellow (flashing)

Electrical connection

Connection

M12 connector

Wiring



Accessories

Accessories (included)

2 lock nuts

Remarks

Remarks

*) for target 24x24x1 mm made of mild steel and frontal approach

Pack quantity

[piece]

1