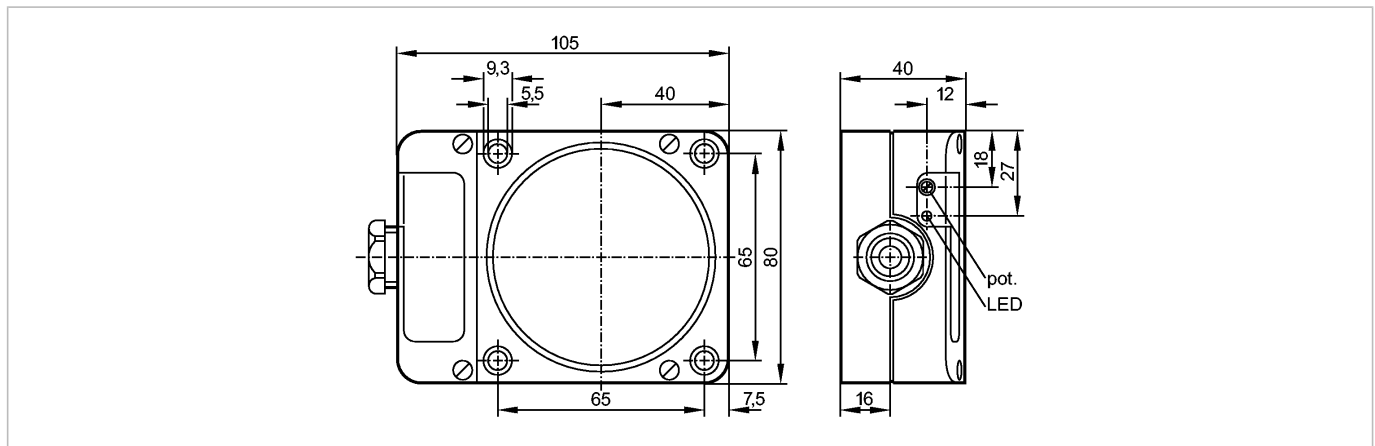


**ID5005**

IDE3060-FPKG

Inductive sensors



**Product characteristics**

Inductive sensor
Rectangular, plastics
Terminals
Sensing range 60 mm; adjustable; [nf] non-flush mountable

**Electrical data**

Electrical design	DC PNP
Operating voltage [V]	10...36 DC
Current consumption [mA]	15 (24 V)
Protection class	II
Reverse polarity protection	yes

**Outputs**

Output function	normally open / closed programmable
Voltage drop [V]	< 2.5
Current rating [mA]	250
Short-circuit protection	yes
Overload protection	yes
Switching frequency [Hz]	100

**Monitoring range**

Sensing range [mm]	60, adjustable
Real sensing range (Sr) [mm]	60 ± 10 %
Operating distance [mm]	0...48.6

**Accuracy / deviations**

Correction factors	mild steel = 1 / stainless steel approx. 0.7 / brass approx. 0.4 / aluminium approx. 0.3 / copper approx. 0.2
Hysteresis [% of Sr]	1...15
Switch-point drift [% of Sr]	-10...10

**Environment**

Ambient temperature [°C]	-25...80
Protection	IP 65

**Tests / approvals**

EMC	EN 61000-4-2 ESD: - CD / 8 kV AD
	EN 61000-4-3 HF radiated: 10 V/m
	EN 61000-4-4 Burst: 2 kV

**ID5005**

IDE3060-FPKG

**Inductive sensors**

	EN 61000-4-5 Surge:	0.5 kV (line to line, Ri: 20hm)
	EN 61000-4-6 HF conducted:	10 V
	EN 55011:	class B
MTTF	[Years]	1277

**Mechanical data**

Mounting	non-flush mountable
Housing materials	PPE
Weight	[kg] 0.432

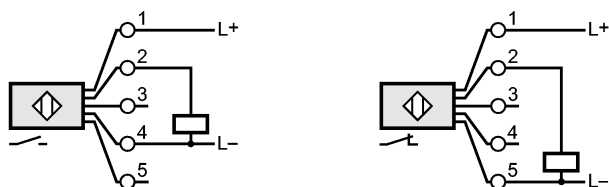
**Displays / operating elements**

Output status indication	LED	yellow
--------------------------	-----	--------

**Electrical connection**

Connection	terminals up to 2.5 mm <sup>2</sup> ; cable diameter 7...13 mm, cable gland M20 x 1.5
------------	---

**Wiring**



**Accessories**

Accessories (included)	screwdriver
------------------------	-------------

**Remarks**

Pack quantity	[piece]	1
---------------	---------	---