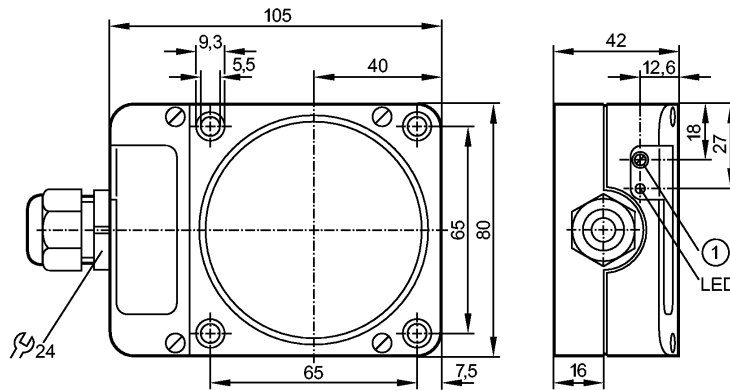


ID002A

IDE2060-FBOA/3D

Inductive sensors



1: potentiometer



Product characteristics

Inductive sensor
Rectangular, plastics
Terminals
ATEX approval
Group II, category 3D
Sensing range 60 mm; adjustable; [nf] non-flush mountable

Electrical data

Electrical design	AC/DC
Operating voltage [V]	20...250 AC/DC
Protection class	II
Reverse polarity protection	no

Outputs

Output function	normally open / closed programmable
Voltage drop [V]	< 6.5 AC / < 6 DC
Minimum load current [mA]	5
Leakage current [mA]	< 2.5 (250 V AC) / < 1.3 (110 V AC) / < 0.8 (24 V DC)

Current rating	
- Current rating (continuous) [mA]	200 AC / 100 DC
- Current rating (peak) [mA]	î: 2.2 A (20 ms / 0.5 Hz)
Short-circuit proof	no
Overload protection	no
Switching frequency [Hz]	4; only for resistive loads; 2 Hz for utilisation category AC-140

Monitoring range

Sensing range [mm]	60, adjustable
Real sensing range (Sr) [mm]	60 ± 10 %
Operating distance [mm]	0...48.6

Accuracy / deviations

Correction factors	mild steel = 1 / stainless steel approx. 0.7 / brass approx. 0.4 / aluminium approx. 0.3 / copper approx. 0.2
Hysteresis [% of Sr]	1...15
Switch-point drift [% of Sr]	-10...10

Environment

ID002A

IDE2060-FBOA/3D

Inductive sensors

Ambient temperature	[°C]	-20...60
Protection		IP 65

Tests / approvals

Marking of the unit	II 3D Ex tc IIIC T90°C Dc X IP65	
EMC	EN 60947-5-2	2008-08
MTTF	[Years]	454

Mechanical data

Mounting	non-flush mountable	
Housing materials	PPE modified; PA	
Tightening torque	[Nm]	0.9 (housing screws) 4 (screws)
Weight	[kg]	0.506

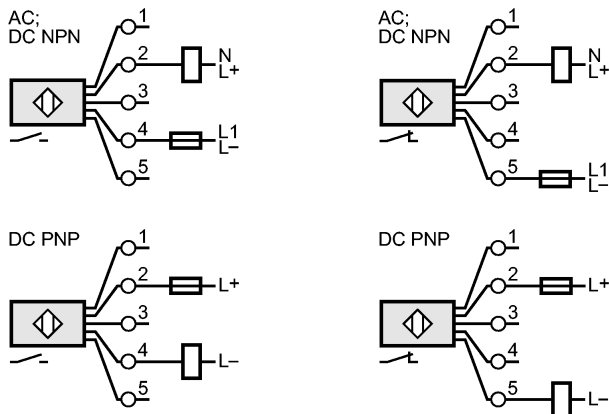
Displays / operating elements

Output status indication	LED	yellow
--------------------------	-----	--------

Electrical connection

Connection	terminals 0.34 up to 2.5 mm ² ; cable diameter 5...9 mm, cable gland M20 x 1.5
------------	---

Wiring



Note: miniature fuse to IEC60127-2 sheet 1, ≤ 2 A (fast acting)
Place the fuse outside the hazardous area.

Accessories

Accessories (included)	screwdriver
------------------------	-------------

Remarks

Remarks	Recommendation: check the unit for reliable function after a short circuit.
---------	---

Pack quantity	[piece]	1
---------------	---------	---