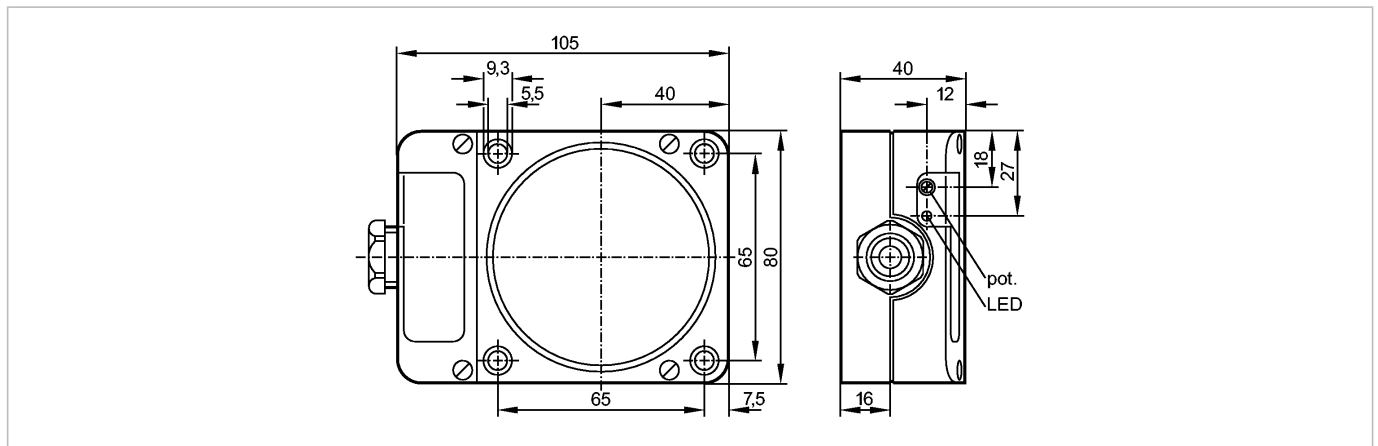


ID0013

IDE2060-FBOA

Inductive sensors

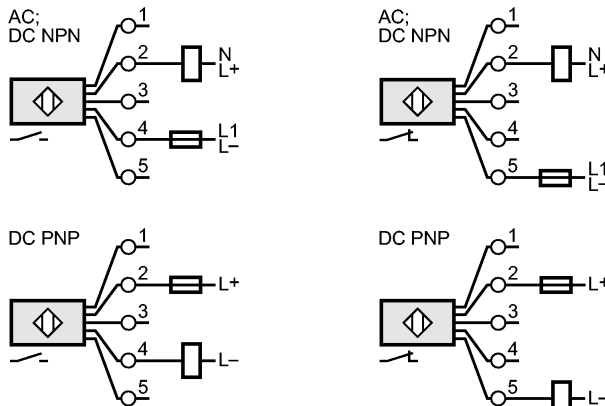


Product characteristics	
Inductive sensor	
Rectangular, plastics	
Terminals	
Sensing range 60 mm; adjustable; [nf] non-flush mountable	
Electrical data	
Electrical design	AC/DC
Operating voltage [V]	20...250 AC/DC
Protection class	II
Reverse polarity protection	no
Outputs	
Output function	normally open / closed programmable
Voltage drop [V]	< 6.5 AC/DC
Minimum load current [mA]	5
Leakage current [mA]	< 2.5 (250 V AC) / < 1.3 (110 V AC) / < 1 (24 V DC)
Current rating	
- Current rating (continuous) [mA]	250 AC / 100 DC; 350 AC (...50 °C)
- Current rating (peak) [mA]	î: 2.2 A (20 ms / 0.5 Hz)
Short-circuit proof	no
Overload protection	no
Switching frequency [Hz]	4
Monitoring range	
Sensing range [mm]	60, adjustable
Real sensing range (Sr) [mm]	60 ± 10 %
Operating distance [mm]	0...48.6
Accuracy / deviations	
Correction factors	mild steel = 1 / stainless steel approx. 0.7 / brass approx. 0.4 / aluminium approx. 0.3 / copper approx. 0.2
Hysteresis [% of Sr]	1...15
Switch-point drift [% of Sr]	-10...10
Environment	
Ambient temperature [°C]	-25...80
Protection	IP 65

ID0013

IDE2060-FBOA

Inductive sensors

Tests / approvals	
EMC	EN 60947-5-2 EN 55011: class B
MTTF [Years]	460
Mechanical data	
Mounting	non-flush mountable
Housing materials	modified PPE
Weight [kg]	0.438
Displays / operating elements	
Output status indication LED	yellow
Electrical connection	
Connection	terminals up to 2.5 mm ² ; cable diameter 7...13 mm, cable gland M20 x 1.5
Wiring	
 <p>The wiring diagrams show four configurations for the sensor's 5 terminals (1-5): 1. AC; DC NPN: Terminal 1 is AC L, 2 is AC N, 3 is DC L+, 4 is DC L-, 5 is common ground. 2. AC; DC NPN: Terminal 1 is AC L, 2 is AC N, 3 is common ground, 4 is DC L+, 5 is DC L-. 3. DC PNP: Terminal 1 is common ground, 2 is DC L+, 3 is common ground, 4 is DC L-, 5 is common ground. 4. DC PNP: Terminal 1 is common ground, 2 is DC L+, 3 is common ground, 4 is DC L-, 5 is common ground.</p>	
<p>Note: miniature fuse to IEC60127-2 sheet 1, ≤ 2 A (fast acting)</p>	
Accessories	
Accessories (included)	screwdriver
Remarks	
Remarks	Recommendation: check the unit for reliable function after a short circuit.
Pack quantity [piece]	1