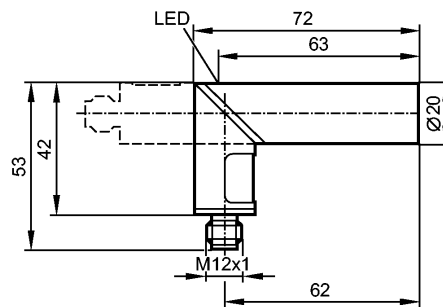


IA5136

IAE3010-APKG/US-100/ANGLED

Inductive sensors


Product characteristics

Inductive sensor

Plastic housing Ø 20 mm

Quick disconnect

Sensing range 10 mm; [f] flush mountable

Electrical data

Electrical design		DC PNP
Operating voltage	[V]	10...36 DC
Current consumption	[mA]	15 (24 V)
Protection class		II
Reverse polarity protection		yes

Outputs

Output function		normally closed
Voltage drop	[V]	< 2.5
Current rating	[mA]	250
Short-circuit protection		yes (non-latching)
Overload protection		yes
Switching frequency	[Hz]	300

Monitoring range

Sensing range	[mm]	10
Real sensing range (Sr)	[mm]	10 ± 10 %
Operating distance	[mm]	0...8.1

Accuracy / deviations

Correction factors		mild steel = 1 / stainless steel approx. 0.7 / brass approx. 0.4 / aluminium approx. 0.3 / copper approx. 0.2
Hysteresis	[% of Sr]	1...15
Switch-point drift	[% of Sr]	-10...10

Environment

Ambient temperature	[°C]	-25...80
Protection		IP 65

Tests / approvals

EMC	EN 61000-4-2 ESD:	- CD / 8 kV AD
	EN 61000-4-3 HF radiated:	3 V
	EN 61000-4-4 Burst:	2 kV
	EN 61000-4-5 Surge:	0.5 kV (line to line, Ri: 20hm)
	EN 61000-4-6 HF conducted:	3 V
	EN 55011:	class B

IA5136

IAE3010-APKG/US-100/ANGLED

Inductive sensors

MTTF	[Years]	1076
------	---------	------

Mechanical data

Mounting		flush mountable
Housing materials		PBT; LED window: PC
Weight	[kg]	0.098

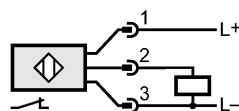
Displays / operating elements

Output status indication	LED	yellow
--------------------------	-----	--------

Electrical connection

Connection		M12 connector
------------	--	---------------

Wiring



Accessories

Accessories (included)		Mounting clamp
------------------------	--	----------------

Remarks

Pack quantity	[piece]	1
---------------	---------	---