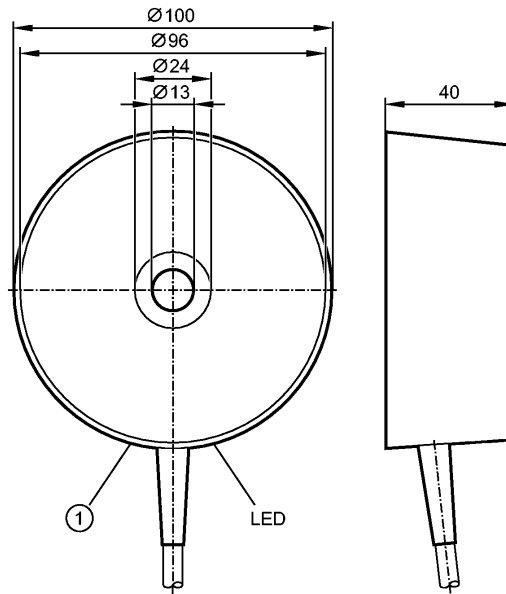


**I17001**

SIT-3070-BPKG

Inductive sensors



1: potentiometer



**Product characteristics**

Inductive sensor

Plastic housing Ø 100 mm

Cable

Sensing range 70 mm; adjustable 20...70 mm; [nf] non-flush mountable

**Electrical data**

Electrical design	DC PNP
Operating voltage [V]	10...36 DC
Current consumption [mA]	15 (24 V)
Protection class	II
Reverse polarity protection	yes

**Outputs**

Output function	normally open
Voltage drop [V]	< 2.5
Current rating [mA]	250
Short-circuit protection	pulsed
Overload protection	yes
Switching frequency [Hz]	5

**Range**

Sensing range [mm]	70, adjustable 20...70 mm
Real sensing range (Sr) [mm]	70 ± 10 %

**Accuracy / deviations**

Correction factors	mild steel = 1 / stainless steel approx. 0.7 / brass approx. 0.4 / Al approx. 0.4 / Cu approx. 0.3
Hysteresis [% of Sr]	< 15
Switch-point drift [% of Sr]	-15...15

**Environment**

Ambient temperature [°C]	-20...70
--------------------------	----------

## I17001

SIT-3070-BPKG

Inductive sensors

Protection	IP 65
------------	-------

### Tests / approvals

EMC	EN 60947-5-2 EN 55011: class B
-----	-----------------------------------

### Mechanical data

Mounting	non-flush mountable
Housing materials	PBT
Weight [kg]	0.515

### Displays / operating elements

Output status indication	LED	yellow
--------------------------	-----	--------

### Electrical connection

Connection	PVC cable / 2 m; 3 x 0.5 mm <sup>2</sup>
------------	--

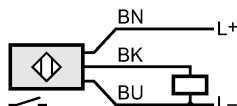
### Wiring

Core colours

BK black

BN brown

BU blue



### Accessories

Accessories (included)	1 screw
------------------------	---------

### Remarks

Pack quantity [piece]	1
-----------------------	---