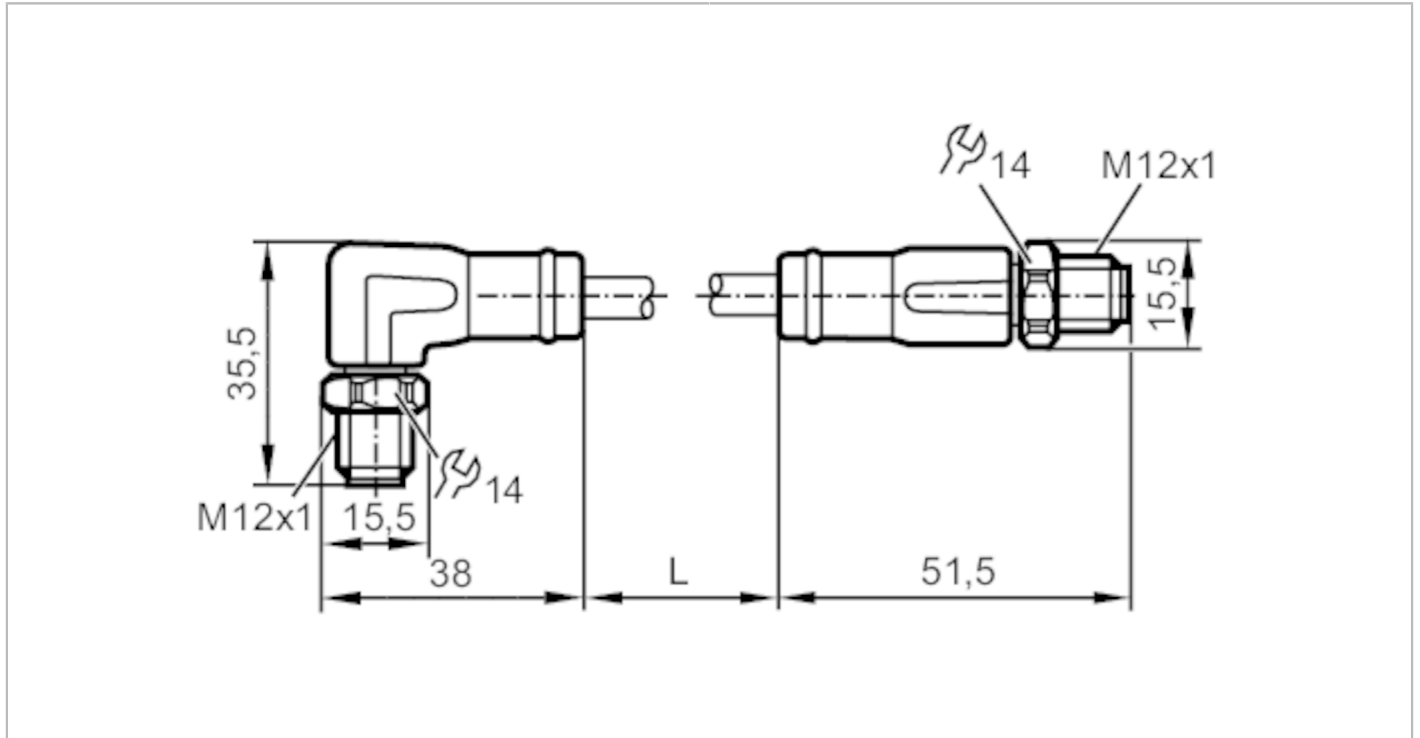


EVF536



Ethernet connection cable

VSTGN040VAS00,5P04STAN040VAS



| Application | |
|-----------------------------------|--|
| System | Free from silicone; Halogen-free; gold-plated contacts; screened cable; Drag chain suitability |
| Design | Ethernet cable, D-coded |
| Application | Industrial Ethernet; CAT5/CAT5e; 100 Mbit/s; sanitary and wet areas in the food industry |
| Free from silicone | yes |
| Electrical data | |
| Operating voltage [V] | 30 AC / 60 DC |
| Protection class | III |
| Max. current load total [A] | 4 |
| Operating conditions | |
| Ambient temperature [°C] | -25...100 |
| Ambient temperature (moving) [°C] | 0...80 |
| Protection | IP 65; IP 67; IP 68; IP 69K |

EVF536



Ethernet connection cable

VSTGN040VAS00,5P04STAN040VAS

| Mechanical data | | |
|------------------------|--|--|
| Weight [g] | 69.1 | |
| Material | PP Halogen-free | |
| Molded-body material | PP | |
| Material nut | stainless steel (1.4404 / 316L) | |
| Drag chain suitability | yes | |
| Drag chain suitability | Bending radius for flexible applications | min. 15 x cable diameter |
| | Travel speed | max. 3.3 m/s for a horizontal travel length of 5 m and max. acceleration of 5 m/s ² |
| | Bending cycles | > 1 Mio. |
| | Torsional strain | ± 180 °/m |

| Remarks | |
|---------------|--------|
| Pack quantity | 1 pcs. |

Electrical connection - Angled version

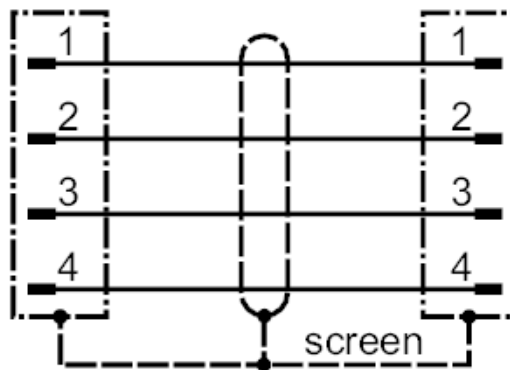
Connector: 1 x M12, angled; Moulded body: PP; Locking: stainless steel (1.4404 / 316L); Contacts: gold-plated; Tightening torque: 0.6...1.2 Nm; Shielded connection cable: shield connected



Electrical connection

Cable: 0.5 m, MPPE, Halogen-free, grey, Ø 6.5 mm, screened; PROFINET Type C; 4 x 0.34 mm² (7 x Ø 0.25 mm)

Connection



Electrical connection - Straight version

Connector: 1 x M12, straight; Moulded body: PP; Locking: stainless steel (1.4404 / 316L); Contacts: gold-plated; Tightening torque: 0.6...1.2 Nm; Shielded connection cable: shield connected

EVF536



Ethernet connection cable

VSTGN040VAS00,5P04STAN040VAS

