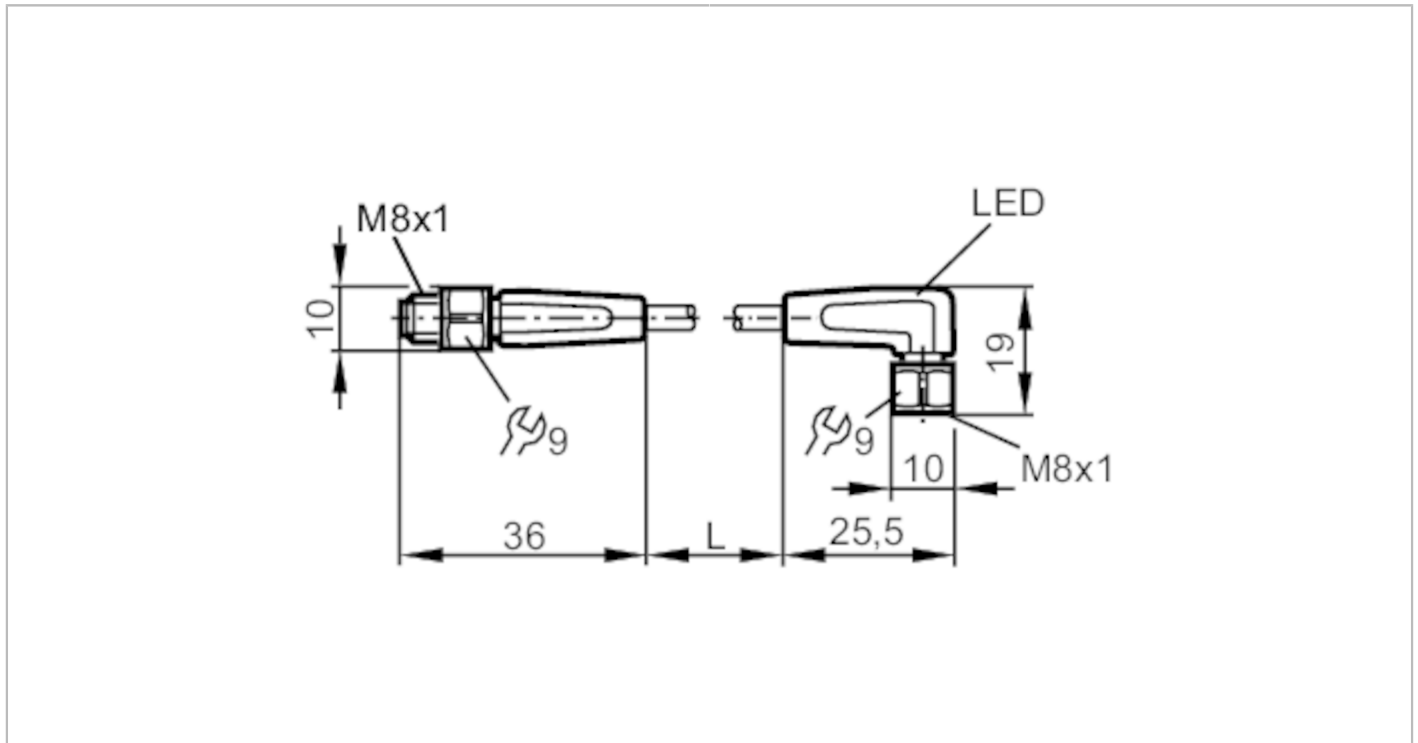


EVF156



Connection cable

VDOAF032VAS0001P03STGF030VAS



| Application | | |
|------------------------------|--|-----------------------------|
| System | Free from silicone; Halogen-free; gold-plated contacts; Drag chain suitability | |
| Application | sanitary and wet areas in the food industry | |
| Free from silicone | yes | |
| Electrical data | | |
| Operating voltage | [V] | 10...36 DC |
| Protection class | | III |
| Max. current load total | [A] | 3 |
| Outputs | | |
| Electrical design | | PNP |
| Operating conditions | | |
| Ambient temperature | [°C] | -25...80 |
| Ambient temperature (moving) | [°C] | 5...80 |
| Protection | | IP 65; IP 67; IP 68; IP 69K |
| Tests / approvals | | |
| UL approval | voltage supply | Class 2 |

EVF156



Connection cable

VDOAF032VAS0001P03STGF030VAS

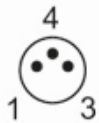
| Mechanical data | | |
|------------------------|--|--|
| Weight [g] | 44.6 | |
| Dimensions [mm] | 10 x 10 x 36 | |
| Material | housing: PP grey; sealing: EPDM | |
| Material nut | stainless steel (1.4404 / 316L) | |
| Drag chain suitability | yes | |
| Drag chain suitability | Bending radius for flexible applications | min. 10 x cable diameter |
| | Travel speed | max. 3.3 m/s for a horizontal travel length of 5 m and max. acceleration of 5 m/s ² |
| | Bending cycles | > 1 Mio. |
| | Torsional strain | ± 180 °/m |

| Displays / operating elements | | |
|-------------------------------|------------------|-----------------|
| Display | Switching status | 1 x LED, yellow |
| | Power | 1 x LED, green |

| Remarks | |
|---------------|--------|
| Pack quantity | 1 pcs. |

Electrical connection - plug

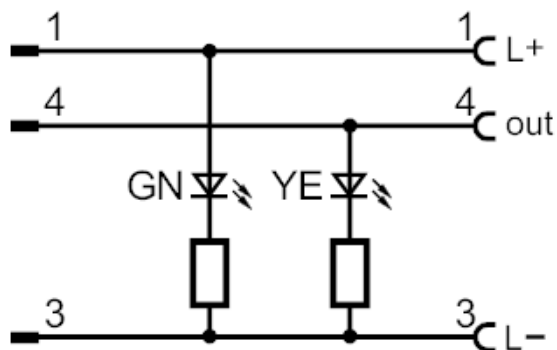
Connector: 1 x M8, straight; Locking: stainless steel (1.4404 / 316L); Contacts: gold-plated; Tightening torque: 0.3...0.5 Nm



Electrical connection

Cable: 1 m, MPPE, Halogen-free, grey, Ø 4.9 mm; 3 x 0.34 mm² (42 x Ø 0.1 mm)

Connection



Electrical connection - Socket

Connector: 1 x M8, angled; Locking: stainless steel (1.4404 / 316L); Contacts: gold-plated; Tightening torque: 0.3...0.5 Nm

EVF156



Connection cable

VDOAF032VAS0001P03STGF030VAS

