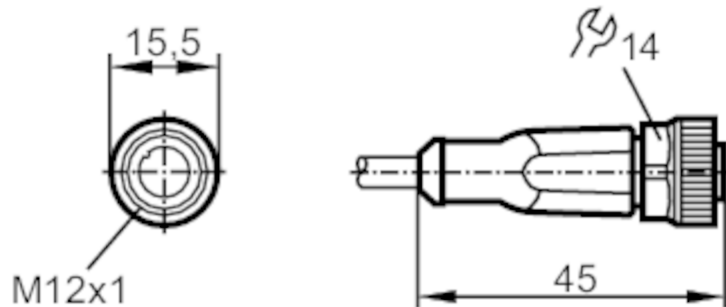


EVC855



Female cordset

ADOGH040MSS0003K04



Application		
System	Free from silicone; Halogen-free; gold-plated contacts; screened cable; Drag chain suitability	
Free from silicone	yes	
Electrical data		
Operating voltage [V]	< 50 AC / < 60 DC	
Protection class	III	
Max. current load total [A]	4	
Operating conditions		
Ambient temperature [°C]	-25...90	
Ambient temperature (moving) [°C]	-25...90	
Protection	IP 65; IP 67	
Mechanical data		
Weight [g]	138.5	
Dimensions [mm]	15.5 x 15.5 x 45	
Material	housing: TPU (urethane) orange; sealing: FKM	
Material nut	brass, nickel-plated	
Drag chain suitability	yes	
Drag chain suitability	Bending radius for flexible applications	min. 10 x cable diameter
	Travel speed	max. 3.3 m/s for a horizontal travel length of 5 m and max. acceleration of 5 m/s ²
	Bending cycles	≥ 2 Mio.
	Torsional strain	± 180 °/m

EVC855



Female cordset

ADOGH040MSS0003K04

Remarks

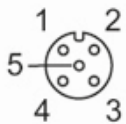
Pack quantity 1 pcs.

Electrical connection

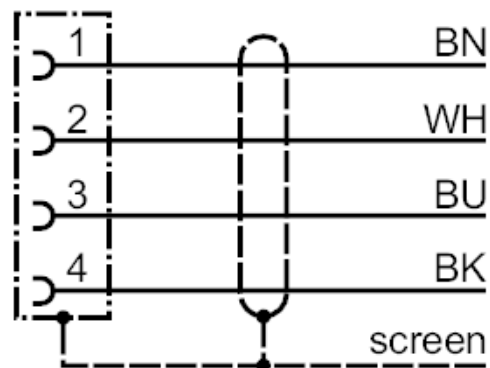
Cable: 3 m, PUR, Halogen-free, black, Ø 4.9 mm, screened; 4 x 0.34 mm² (42 x Ø 0.1 mm)

Electrical connection - Socket

Connector: 1 x M12, straight; coding: A; Locking: brass, nickel-plated; Contacts: gold-plated; Tightening torque: 0.6...1.5 Nm; Shielded connection cable: shield connected



Connection



Core colors :

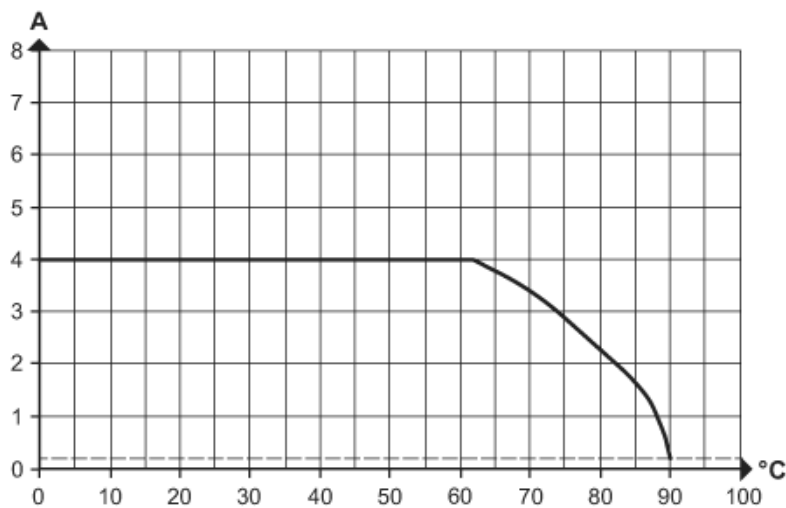
BK = black
BN = brown
BU = blue
WH = white



Female cordset

ADOGH040MSS0003K04

Diagrams and graphs

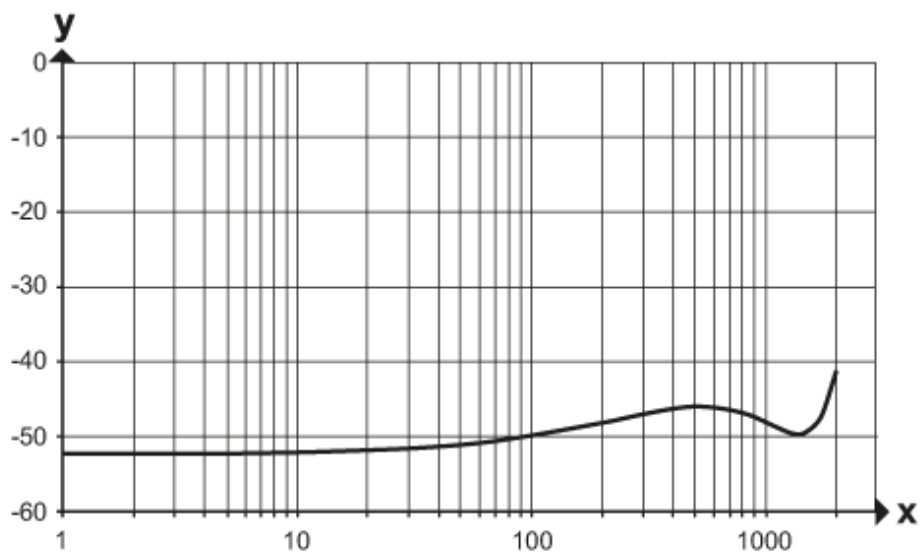


Derating $I_{max} * 0.8$ DIN EN 60512-5-2

X Ambient temperature [°C]

Y Current [A]

Shielding characteristics



x Frequency (MHz)

y Shielding characteristics (dB)

according to DIN EN 60512-23-3