

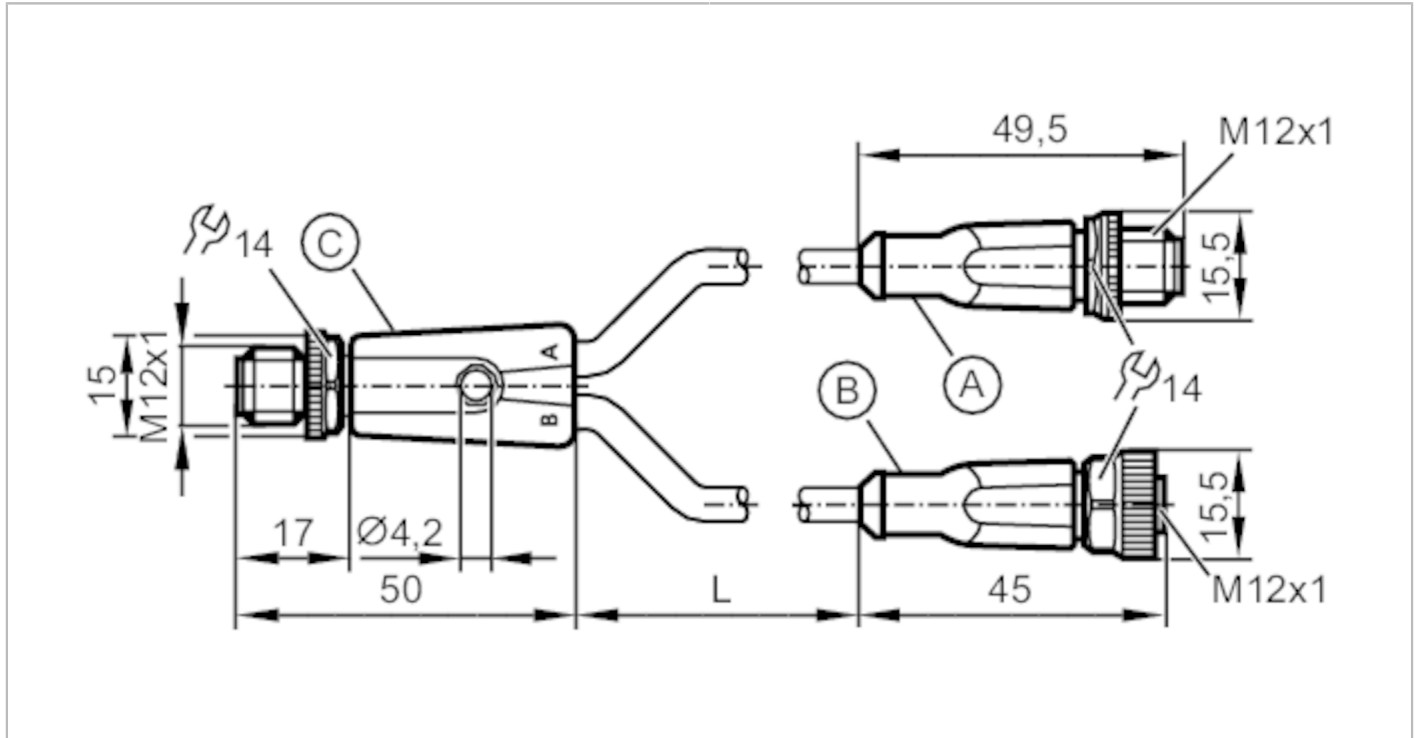
# EVC854



## Y connection cable

YSDGHB0MSS00,1HBDSTGH030MSS

Please see the technical note under "Downloads"



### Application

System	Free from silicone; Halogen-free; gold-plated contacts; Drag chain suitability
Free from silicone	yes

### Electrical data

Operating voltage	[V]	24 DC
Protection class		II
Max. current load total	[A]	3

### Operating conditions

Ambient temperature	[°C]	-25...90
Protection		IP 65; IP 67; IP 68; IP 69K

# EVC854



## Y connection cable

YSDGHBD0MSS00,1HBDSTGH030MSS

Mechanical data		
Weight [g]	53	
Molded-body material	TPU (urethane) / TPU (urethane)	
Material nut	brass, nickel-plated	
Sealing material	Viton	
Connector type	M12	
Drag chain suitability	yes	
Drag chain suitability	Bending radius for flexible applications	min. 10 x cable diameter
	Bending radius for fixed installation	min. 5 x cable diameter
	Travel speed	max. 3.3 m/s for a horizontal travel length of 5 m and max. acceleration of 5 m/s <sup>2</sup>
	Bending cycles	> 5 Mio.
	Torsional strain	± 180 °/m > 2 Mio.

Remarks	
Notes	Please see the technical note under "Downloads"
Pack quantity	1 pcs.

### Electrical connection - plug C

Connector: M12, straight; coding: A; Moulded body: TPU (urethane), orange; Locking: knurled nut, brass, nickel-plated; Contacts: gold-plated; Tightening torque: 0.6...1.5 Nm; Take into account the maximum value of the counterpart!



# EVC854



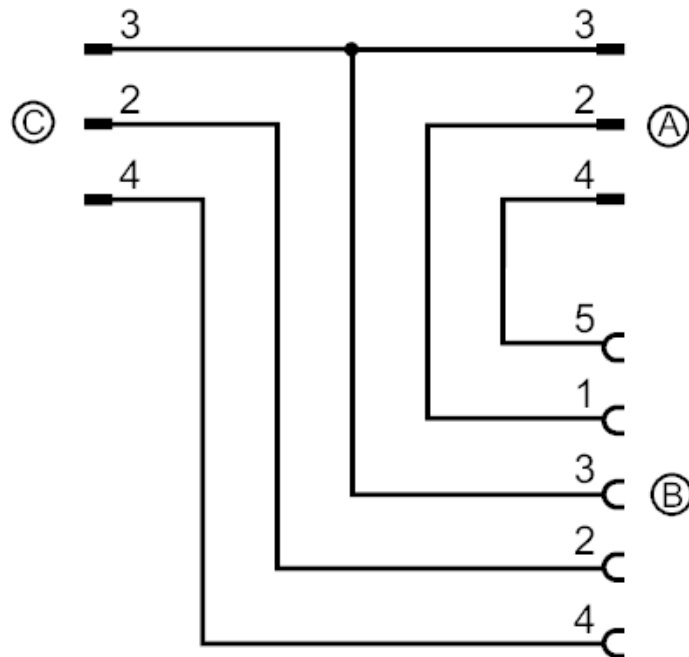
## Y connection cable

YSDGHBDMSS00,1HBDSTGH030MSS

### Electrical connection

Cable: 0.1 m, PUR, Halogen-free, black, Ø 4.9 mm; 3 x 0.34 mm<sup>2</sup> (42 x Ø 0.1 mm) + 5 x 0.34 mm<sup>2</sup> (42 x Ø 0.1 mm)

### Connection



### Electrical connection - plug A

Connector: M12, straight; coding: A; Moulded body: TPU (urethane), orange; Locking: knurled nut, brass, nickel-plated; sealing: Viton; Contacts: gold-plated; Tightening torque: 0.6...1.5 Nm; Take into account the maximum value of the counterpart!



### Electrical connection - Socket B

Connector: M12, straight; coding: A; Moulded body: TPU (urethane), orange; Locking: knurled nut, brass, nickel-plated; Contacts: gold-plated; Tightening torque: 0.6...1.5 Nm; Take into account the maximum value of the counterpart!

