

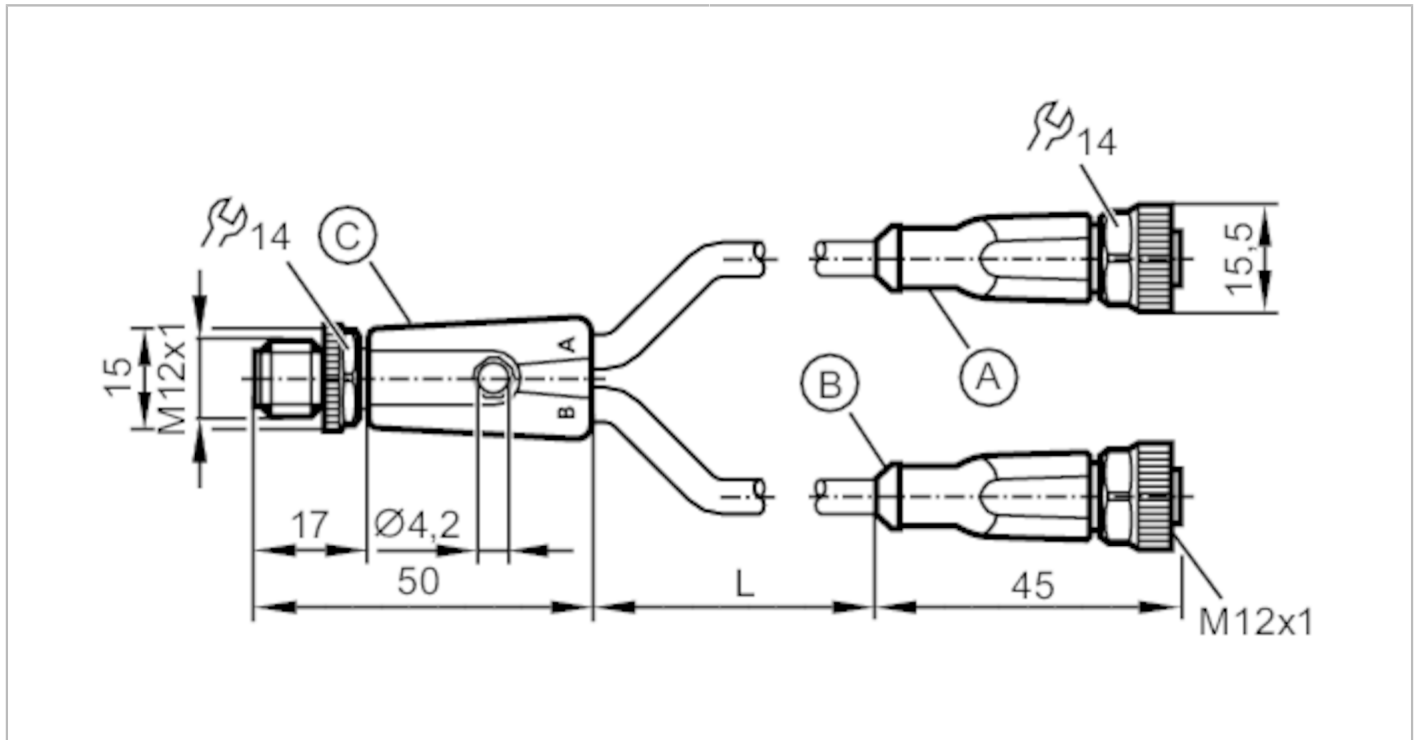
# EVC847



## Y connection cable for trigger

YDOGHDB0MSS00,4HDBSTGH050MSS

Please see the technical note under "Downloads"



Application	
System	Free from silicone; Halogen-free; gold-plated contacts; Drag chain suitability
Free from silicone	yes
Electrical data	
Operating voltage [V]	< 60 AC/DC
Protection class	II
Max. current load total [A]	3
Operating conditions	
Ambient temperature [°C]	-25...90
Ambient temperature (moving) [°C]	-25...90
Storage temperature [°C]	-25...55
Storage humidity [%]	10...100
Other climatic conditions for storage according to stated class	1K22/ DIN 60721-3-1
Protection	IP 65; IP 67; IP 68; IP 69K

# EVC847



## Y connection cable for trigger

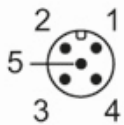
YDOGHDB0MSS00,4HDBSTGH050MSS

Mechanical data		
Weight [g]	74.6	
Molded-body material	TPU (urethane)	
Material nut	brass, nickel-plated	
Sealing material	Viton	
Number of ports splitter box	2	
Drag chain suitability	yes	
Drag chain suitability	Bending radius for flexible applications	min. 10 x cable diameter
	Travel speed	max. 3.3 m/s for a horizontal travel length of 5 m and max. acceleration of 5 m/s <sup>2</sup>
	Bending cycles	> 5 Mio.
	Torsional strain	± 180 °/m

Remarks	
Notes	Please see the technical note under "Downloads"
Pack quantity	1 pcs.

### Electrical connection - plug C

Connector: 1 x M12, straight; coding: A; Moulded body: TPU (urethane), black; Locking: brass, nickel-plated; Contacts: gold-plated; Tightening torque: 0.6...1.5 Nm



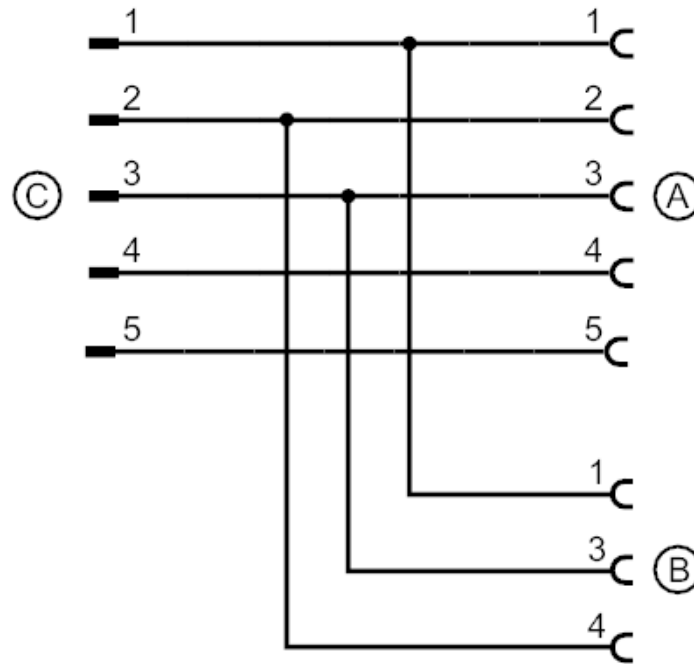


## Y connection cable for trigger

YDOGHDB0MSS00,4HDBSTGH050MSS

### Electrical connection

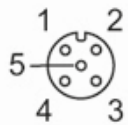
#### Connection



#### Electrical connection - Socket A

Cable: 0.4 m, PUR, Halogen-free, black,  $\varnothing$  4.6 mm; 5 x 0.34 mm<sup>2</sup> (42 x  $\varnothing$  0.1 mm )

Connector: 1 x M12, straight; coding: A; Moulded body: TPU (urethane), black; Locking: brass, nickel-plated; sealing: Viton;  
Contacts: gold-plated; Tightening torque: 0.6...1.5 Nm



#### Electrical connection - Socket B

Cable: 0.4 m, PUR, Halogen-free, black,  $\varnothing$  4.3 mm; 3 x 0.34 mm<sup>2</sup> (42 x  $\varnothing$  0.1 mm )

Connector: 1 x M12, straight; coding: A; Moulded body: TPU (urethane), black; Locking: brass, nickel-plated; sealing: Viton;  
Contacts: gold-plated; Tightening torque: 0.6...1.5 Nm

# EVC847



## Y connection cable for trigger

YDOGHDB0MSS00,4HDBSTGH050MSS

