

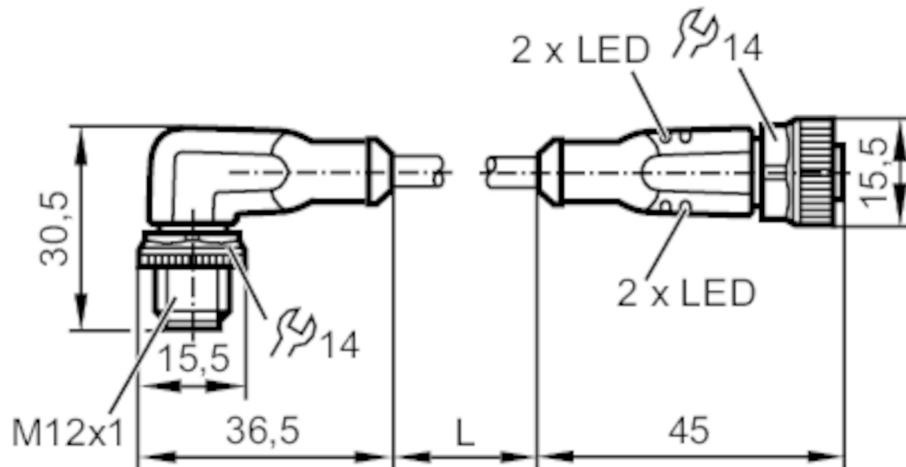
EVC675



Connection cable

VDOGH034MSS00,3H03STA030MSS

Please see the technical note under "Downloads"



Application

System	Free from silicone; Halogen-free; gold-plated contacts; Drag chain suitability
Free from silicone	yes

Electrical data

Operating voltage	[V]	10...36 DC
Protection class		II
Max. current load total	[A]	4

Outputs

Electrical design	PNP
-------------------	-----

Operating conditions

Ambient temperature	[°C]	-25...90
Note on ambient temperature		cULus: ...75 °C
Ambient temperature (moving)	[°C]	-25...90
Note on ambient temperature (moving)		cULus: ...75 °C
Protection		IP 65; IP 67; IP 68; IP 69K

EVC675



Connection cable

VDOGH034MSS00,3H03STAH030MSS

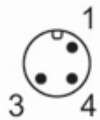
Mechanical data		
Weight [g]	42.2	
Molded-body material	TPU (urethane)	
Material nut	brass, nickel-plated	
Sealing material	FKM	
Drag chain suitability	yes	
Drag chain suitability	Bending radius for flexible applications	min. 10 x cable diameter
	Travel speed	max. 3.3 m/s for a horizontal travel length of 5 m and max. acceleration of 5 m/s ²
	Bending cycles	> 5 Mio.
	Torsional strain	± 180 °/m

Displays / operating elements		
Display	Switching status	2 x LED, yellow
	Power	2 x LED, green

Remarks	
Notes	Please see the technical note under "Downloads"
Pack quantity	1 pcs.

Electrical connection - plug

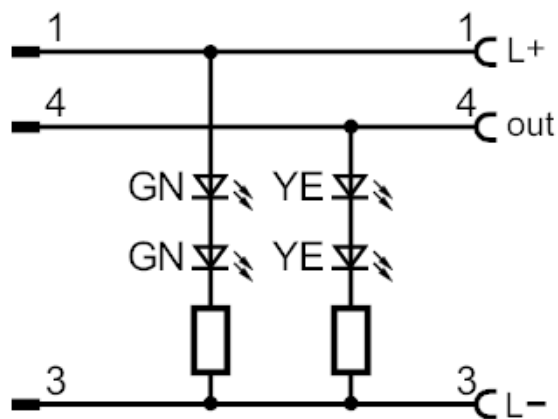
Connector: 1 x M12, angled; coding: A; Moulded body: TPU (urethane), orange; Locking: brass, nickel-plated; Contacts: gold-plated; Tightening torque: 0.6...1.5 Nm



Electrical connection

Cable: 0.3 m, PUR, Halogen-free, black, Ø 4.3 mm; 3 x 0.34 mm² (42 x Ø 0.1 mm)

Connection



EVC675



Connection cable

VDOGH034MSS00,3H03STAH030MSS

Electrical connection - Socket

Connector: 1 x M12, straight; coding: A; Moulded body: TPU (urethane), black transparent; Locking: brass, nickel-plated; sealing: FKM; Contacts: gold-plated; Tightening torque: 0.6...1.5 Nm

