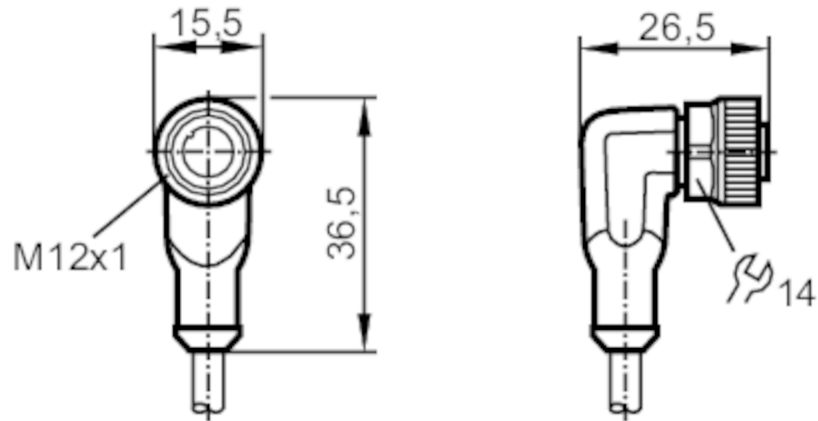


EVC651



Female cordset

ADOAH040MSS0015C04



Application

System	Free from silicone; Halogen-free; gold-plated contacts; screened cable; Drag chain suitability
Free from silicone	yes

Electrical data

Operating voltage [V]	< 50 AC / < 60 DC
Protection class	III
Max. current load total [A]	4

Operating conditions

Ambient temperature [°C]	-25...90
Note on ambient temperature	cULus: ...75
Ambient temperature (moving) [°C]	-25...90
Note on ambient temperature (moving)	cULus: ...75
Protection	IP 65; IP 67; IP 68; IP 69K

EVC651



Female cordset

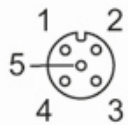
ADOAH040MSS0015C04

Mechanical data		
Weight [g]	604.3	
Dimensions [mm]	26.5 x 15.5 x 36.5	
Material	housing: TPU (urethane) orange; sealing: FKM	
Material nut	brass, nickel-plated	
Drag chain suitability	yes	
Drag chain suitability	Bending radius for flexible applications	min. 10 x cable diameter
	Travel speed	max. 3.3 m/s for a horizontal travel length of 5 m and max. acceleration of 5 m/s ²
	Bending cycles	≥ 2 Mio.
	Torsional strain	± 180 °/m

Remarks	
Pack quantity	1 pcs.

Electrical connection	
Cable: 15 m, PUR, Halogen-free, black, Ø 4.9 mm, screened; 4 x 0.34 mm ² (42 x Ø 0.1 mm)	

Electrical connection - Socket	
Connector: 1 x M12, angled; coding: A; Locking: brass, nickel-plated; Contacts: gold-plated; Tightening torque: 0.6...1.5 Nm; Shielded connection cable: shield not connected	



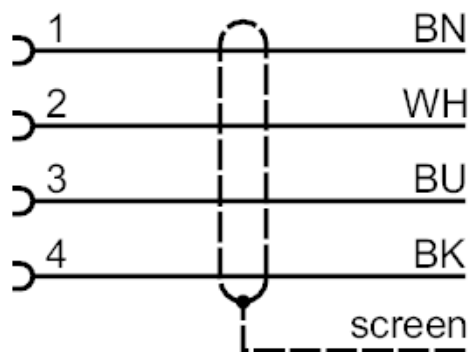
EVC651



Female cordset

ADOAH040MSS0015C04

Connection



Core colors :

BK = black
BN = brown
BU = blue
WH = white