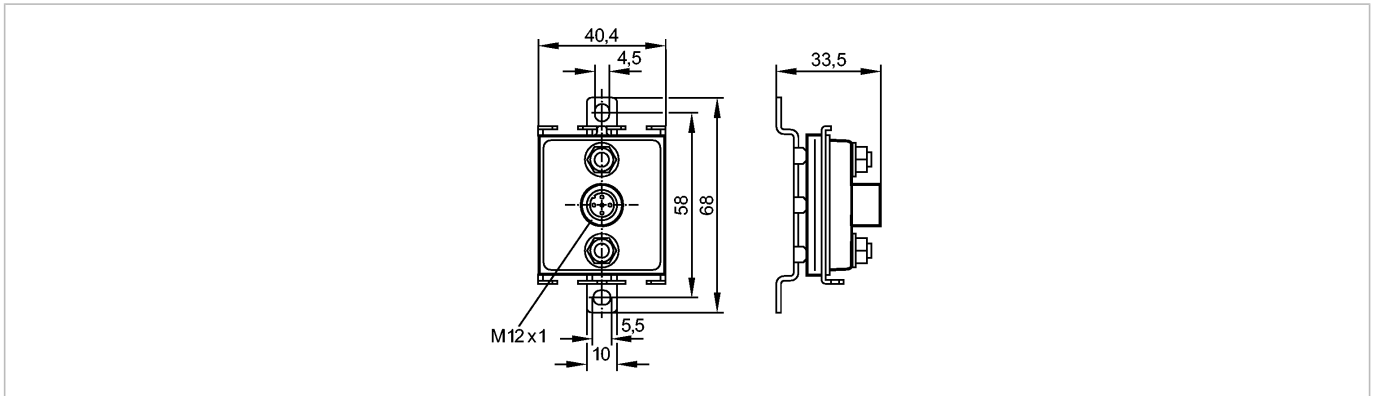


E70354

FCE Splitter ye/bk ProcessL

Accessories



Product characteristics

FC splitter
 AS-i voltage and external auxiliary voltage via the M12 socket

Electrical data

Electrical design	AS-i / 24 V
External voltage supply	according to PELV
Current rating [A]	4
Protection class	III

Environment

Ambient temperature [°C]	-30...80
Protection	IP 68 / IP 69K

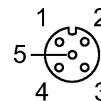
Mechanical data

Housing materials	Metal parts: stainless steel 316L / 1.4404; Blanks: FPM (Viton); O-ring: EPDM
Tightening torque [Nm]	2.5 (Screw)
Weight [kg]	0.11

Electrical connection

Wiring

- 1: AS-i +
- 2: 0 V
- 3: AS-i -
- 4: + 24 V
- 5: n. c.



Accessories

Accessories (optional)	torque wrench (E70390)
------------------------	------------------------

Remarks

Remarks	Use M12 connectors with hexagon nuts, tightening torque 0.8 Nm.
Pack quantity [piece]	1