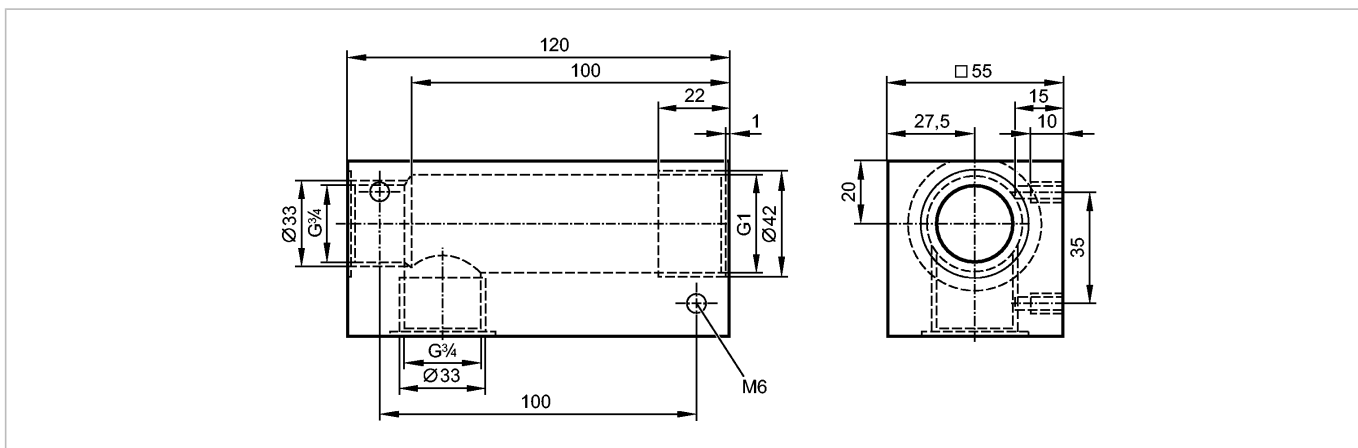


**E43400**

ADAPTBLOCK G3/4

Accessories



**Product characteristics**

Adapter block

D33 / G 3/4

**Environment**

Pressure rating [bar] 10

**Mechanical data**

Design for oil moisture sensor LDH100

Housing materials aluminium

Weight [kg] 0.794

**Remarks**

Pack quantity [piece] 1