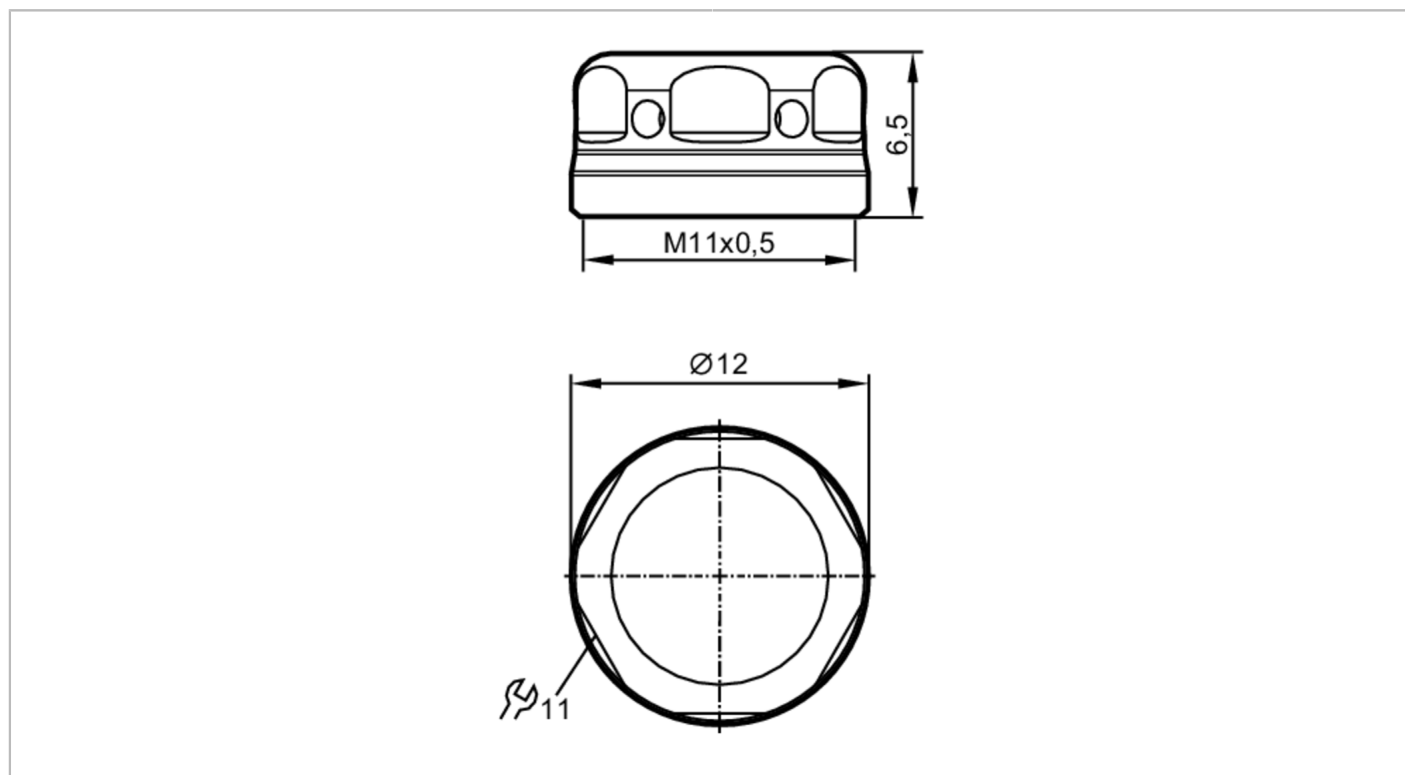


E30142



Filter cover for pressure sensors

EXCHANGE COVER FILTER SYSTEM



| Mechanical data | |
|------------------------|---|
| Weight [g] | 9.9 |
| Material | stainless steel (1.4404 / 316L); PTFE; FKM |
| Tightening torque [Nm] | 2.5...3.5; (recommended tightening torque) |
| Accessories | |
| Items supplied | Filter cover including ventilation diaphragm and O-ring |
| Remarks | |
| Pack quantity | 1 pcs. |