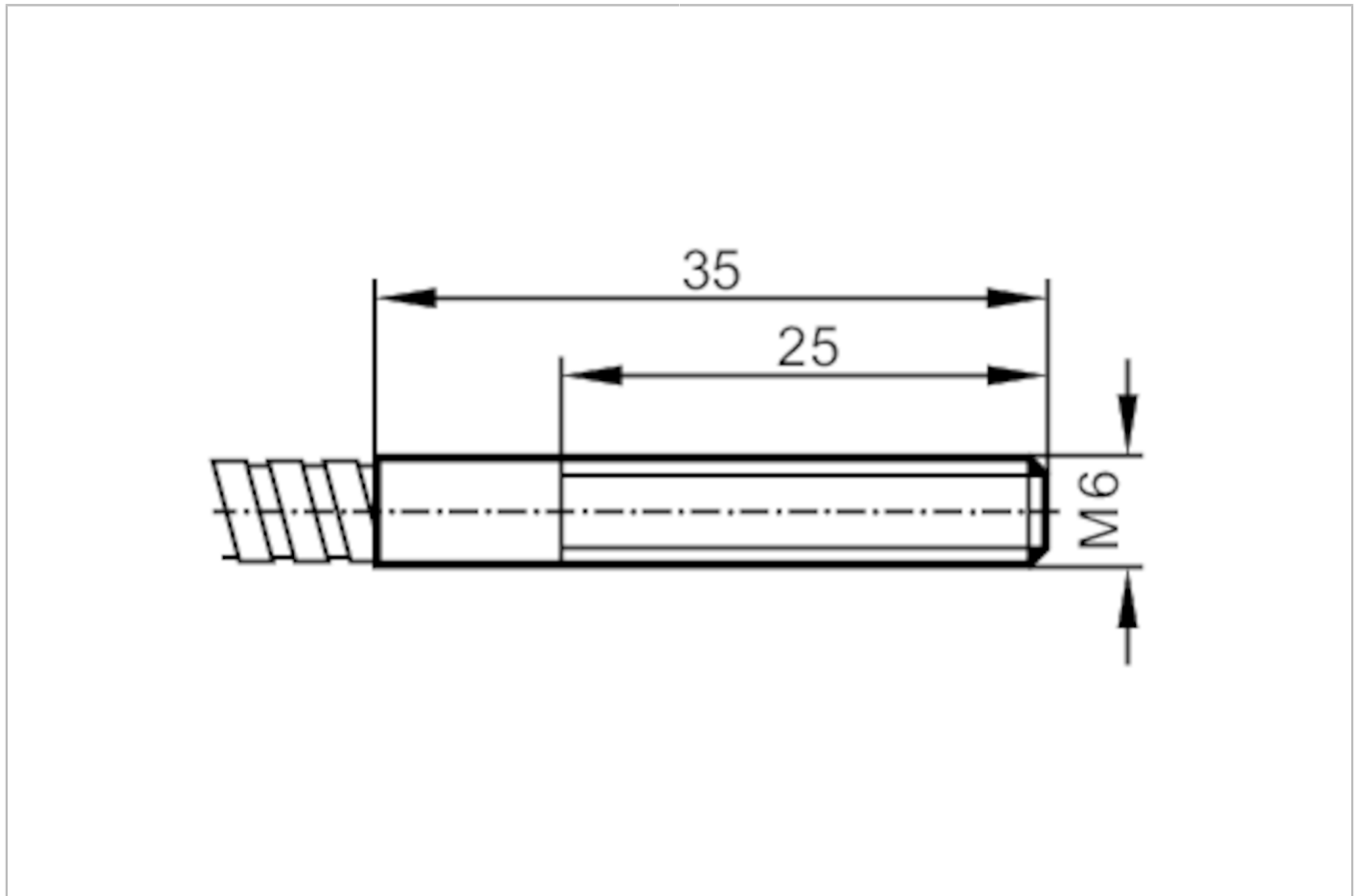


E20071



Fiber optic diffuse reflection sensor

FT-00-A-A-M6/1M



Application	
Function principle	Diffuse reflection sensor
Application	High temperature resistance; Robust design for use in harsh industrial environments
Monitoring range	
Range with fiber optic amplifier type	OKF; OUF; OOF
OKF	
Range fiber optics [mm]	40
OOF	
Range fiber optics [mm]	200
OUF	
Range fiber optics [mm]	40
Operating conditions	
Ambient temperature [°C]	-40...290

E20071



Fiber optic diffuse reflection sensor

FT-00-A-A-M6/1M

Mechanical data	
Weight [g]	59.5
Version of sensing head	straight
Sensing head thread	M6
Sensing head length [mm]	35
Total length [mm]	1000
Min. bending radius [mm]	20; (for fixed installation)
Fiber arrangement	
Material	Adapter: ABS
Fiber material	glass
Fiber head material	aluminum
Fiber sheath material	aluminum
Accessories	
Items supplied	Hexagon nuts: 2 x M6, stainless steel
	tooth lock washers: 2
	Knurled nut: 1 x M11
Remarks	
Pack quantity	1 pcs.