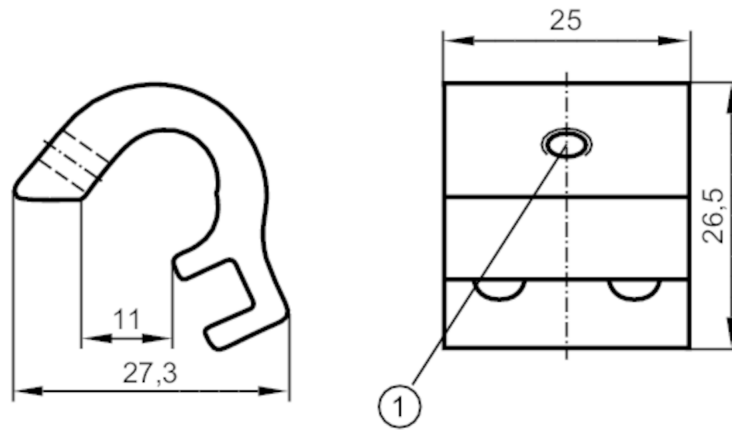


E12231



Mounting adapter for tie-rod/integrated profile cylinders

ADAPT TIE ROD/PROFILE



1 Mounting screw SW 2

Application	
Design	for types MKT, for types MKT
Mechanical data	
Weight [g]	16.1
Material	Adapter: aluminum; screw: stainless steel
Clamping range [mm]	5...11
Remarks	
Pack quantity	1 pcs.