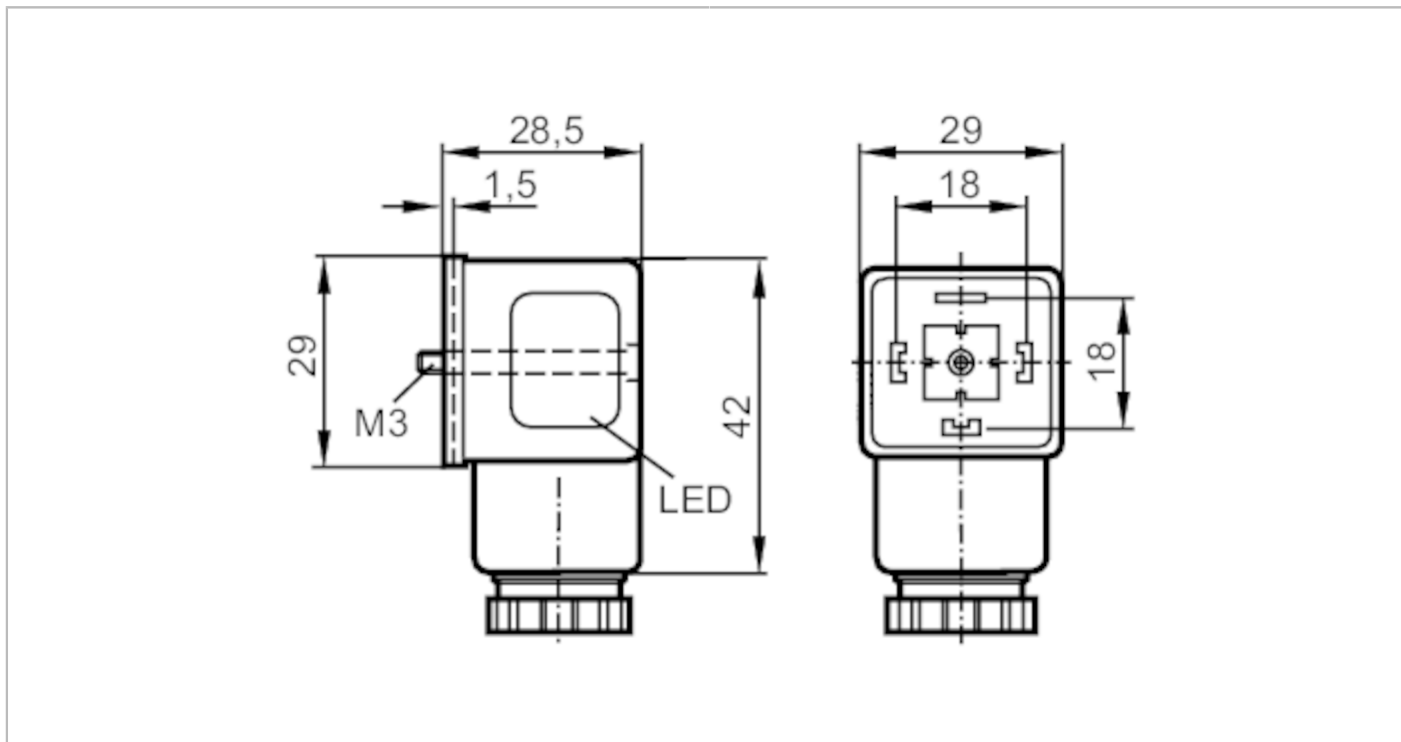


E12224



Wirable valve connector

SVDA0031PLSFKPG



Application	
System	Free from silicone
Free from silicone	yes
Electrical data	
Operating voltage [V]	< 24 DC
Max. current load total [A]	16
Operating conditions	
Ambient temperature [°C]	-40...125
Protection	IP 65
Mechanical data	
Weight [g]	29.4
Material	housing: PA transparent; end cap: PA black; sealing: NBR black
Remarks	
Pack quantity	1 pcs.

E12224



Wirable valve connector

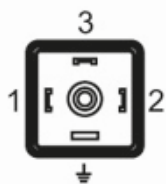
SVDA0031PLSFKPG

Electrical connection

terminals: 4 x ...1.5 mm²; Cable sheath: Ø 6...8 mm

Electrical connection - Socket

Connector: 1 x valve type A DIN, angled



Connection

