

# E11504

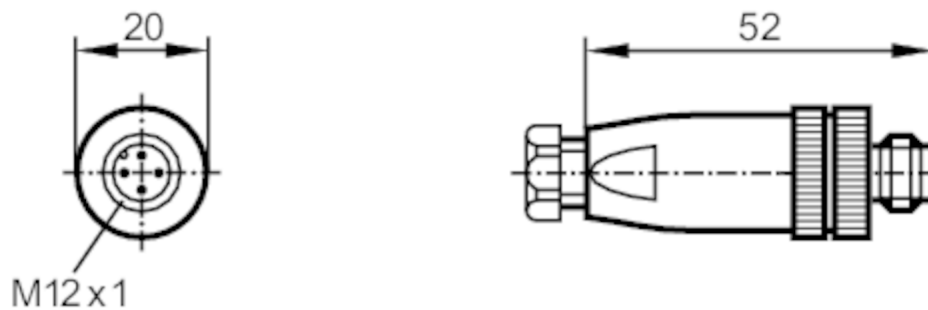


## Wirable plug

SSTGH040MSSFKPG

Article to be discontinued  
Discontinuation date: 03/31/2021

Alternative articles: EVC812  
When selecting an alternative article and accessories please note that technical data may differ!



Application	
System	Free from silicone; gold-plated contacts
Free from silicone	yes
Electrical data	
Operating voltage [V]	< 45 AC / < 70 DC
Max. current load total [A]	4; (...40 °C)
Operating conditions	
Ambient temperature [°C]	-25...85
Protection	IP 68
Mechanical data	
Weight [g]	24.8
Dimensions [mm]	20 x 20 x 52
Material	PA
Molded-body material	PA
Material nut	brass, nickel-plated
Remarks	
Pack quantity	1 pcs.

# E11504



## Wirable plug

SSTGH040MSSFKPG

### Electrical connection

screw terminals: ...0.75 mm<sup>2</sup>; Cable sheath: Ø 4...6 mm

### Electrical connection - plug

Connector: 1 x M12, straight; Moulded body: PA; Locking: brass, nickel-plated; Contacts: gold-plated



### Connection

