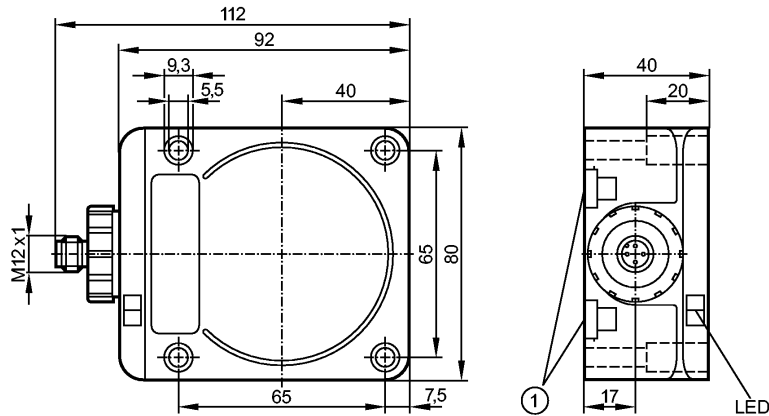


DTA301

DTSLF DCROASUS01

Identification systems



1: Mounting on DIN rail



Product characteristics

Read head	
Rectangular, plastics	
with integrated AS-i slave profile 7.3	
M12 connector	

Application

Application	Detection of objects on conveying systems; suitable for travel speeds up to 0.5 m/s
Electrical design	AS-i

Electrical data

Operating voltage [V]	26.5...31.6 DC (AS-i) ¹⁾
Current consumption [mA]	≤ 65
Protection class	III
operating frequency [kHz]	125

Monitoring range

Travel speed * [m/s]	read: ≤ 0.5 (distance to the ID tag 40 mm)
Distance to the ID tag * [mm]	read: ≤ 80 (static)
Distance between read/read heads ** [mm]	≥ 280 side ≥ 400 front
Distance between read/write heads** [mm]	≥ 500 side / front

Measuring / setting range

value range	16 bits (15-bit ID value, 1-bit message)
-------------	--

Environment

Ambient temperature [°C]	-20...60
Storage temperature [°C]	-25...80
Protection	IP 67

Tests / approvals

Approval	Radio approvals Europe: 99/5/EC (R&TTE Directive) USA FCC ID: UN6DTS125AA Canada ID: 6799A-DTS125AA China ID: 2007DJ0582 Singapore: Registration Number S0655-07
----------	---

DTA301

DTSLF DCROASUS01

Identification systems

EMC	EN 50295	(1999-03)
Shock resistance	EN 60068-2-29:	40 g (6 ms)
	EN 60068-2-27:	50 (11 ms)
Vibration resistance	EN 60068-2-6:	20 g (10...55 Hz)

Safety classification

MTTF	[a]	422
------	-----	-----

AS-i classification

AS-i profile		7.3
I/O configuration [hex]		7
ID code [Hex]		3
AS-i certificate		83501

Mechanical data

Housing materials	housing: PPE; Metal parts: diecast zinc / brass nickel-plated	
Weight	[kg]	0.414

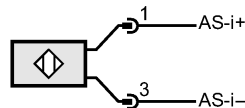
Displays / operating elements

Display	<p>3 LED</p> <p>green: operating voltage</p> <p>yellow: tag read</p> <p>red: error AS-i data communication</p>
---------	--

Electrical connection

Connection	M12 connector; rotatable
------------	--------------------------

Wiring



Remarks

Remarks	<p>*) referred to the ID tag E80318</p> <p>For the distances to other ID tags see the respective data sheet (E803xx)</p> <p>***) referred to the read/write head DTA300 and read head DTA301</p> <p>1) cULus - Class 2 source required</p>
---------	--

Pack quantity	[piece]	1
---------------	---------	---