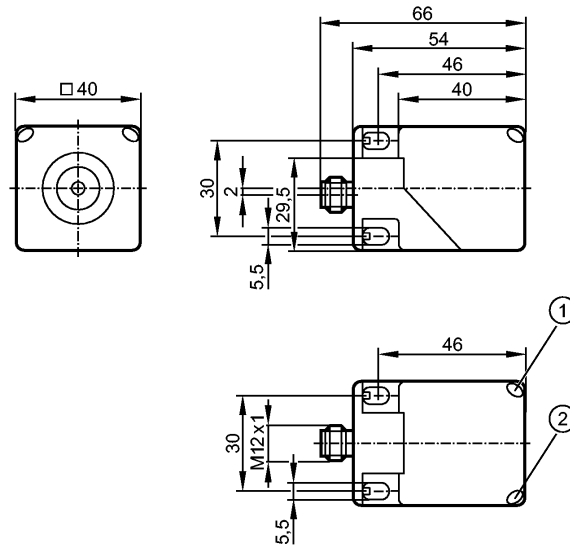


DTA200

DTSLF MCRWASUS01

Identification systems



- 1: LED yellow / red
- 2: LED green



Product characteristics

Read/write head	
Rectangular, plastics	
with integrated AS-i slave profile 7.4	
M12 connector	
5 positions of the sensing face selectable	
flush mountable	

Application

Application	Detection of objects on conveying systems; suitable for travel speeds up to 0.5 m/s
Electrical design	AS-i

Electrical data

Operating voltage [V]	26.5...31.6 DC (AS-i) ¹⁾
Current consumption [mA]	≤ 75
Protection class	III
operating frequency [kHz]	125

Monitoring range

Travel speed * [m/s]	read: ≤ 0.5 (distance to the ID tag 30 mm) write: only static
Distance to the ID tag * [mm]	read: ≤ 55 (static)
Distance between read/read heads ** [mm]	≥ 150 side / front
Distance between read/write heads** [mm]	≥ 300 side / front

Measuring / setting range

value range	16 bits (15-bit ID value, 1-bit message)
-------------	--

Environment

Ambient temperature [°C]	-20...60
Storage temperature [°C]	-25...80

DTA200

DTSLF MCRWASUS01

Identification systems

Protection	IP 67 / IP 69K
------------	----------------

Tests / approvals

EMC	EN 50295	(1999-03)
Shock resistance	EN 60068-2-29:	40 g (6 ms)
	EN 60068-2-27:	50 g (11 ms)
Vibration resistance	EN 60068-2-6:	20 g (10...55 Hz)

Safety classification

MTTF	[a]	456
------	-----	-----

AS-i classification

AS-i profile		7.4
I/O configuration [hex]		7
ID code [Hex]		4
AS-i certificate		87201

Mechanical data

Mounting		flush mountable
Housing materials		PA (polyamide)
Weight	[kg]	0.205

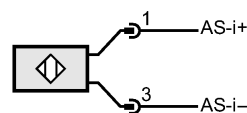
Displays / operating elements

Display	3 LED green: operating voltage yellow: tag read red: error AS-i data communication
---------	---

Electrical connection

Connection	M12 connector; rotatable, locking
------------	-----------------------------------

Wiring



Remarks

Remarks	*) referred to the ID tag E80318 For the distances to other ID tags see the respective data sheet (E803xx) **) referred to the read/write head DTA200 and read head DTA201
---------	--

Pack quantity	[piece]	1
---------------	---------	---