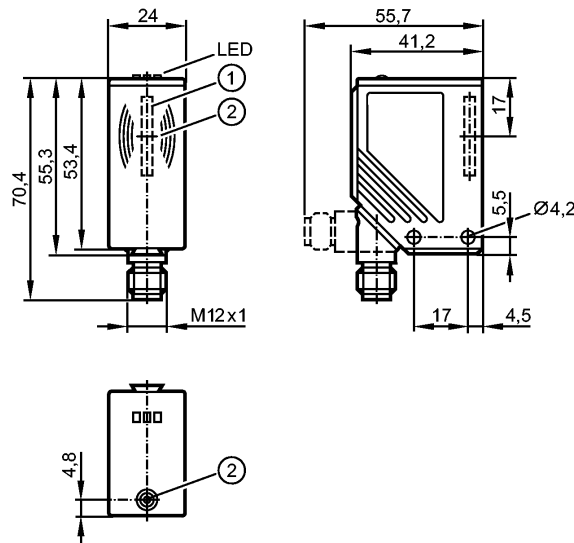


**DTA101**

DTSLF AAROASUS01

Identification systems



- 1: integrated antenna
- 2: tag positioning mark (middle of the antenna)



**Product characteristics**

Read head

Rectangular, plastics

with integrated AS-i slave profile 7.3

M12 connector

**Application**

Application	Detection of objects on conveying systems; suitable for travel speeds up to 0.5 m/s
Electrical design	AS-i

**Electrical data**

Operating voltage [V]	26.5...31.6 DC (AS-i) <sup>1)</sup>
Current consumption [mA]	≤ 50
Protection class	III
operating frequency [kHz]	125

**Monitoring range**

Travel speed * [m/s]	read: ≤ 0.5 (distance to the ID tag 15 mm)
Distance to the ID tag * [mm]	read: ≤ 20 (static)
Distance between read/read heads ** [mm]	≥ 200 side / front
Distance between read/write heads** [mm]	≥ 400 side / front

**Measuring / setting range**

value range	16 bits (15-bit ID value, 1-bit message)
-------------	--

**Environment**

Ambient temperature [°C]	-20...50
Storage temperature [°C]	-25...80
Protection	IP 67

**Tests / approvals**

**DTA101**

DTSLF AAROASUS01

**Identification systems**

Approval	Radio approvals Europe: 99/5/EC (R&TTE Directive) USA FCC ID: UN6DTS125AA Canada ID: 6799A-DTS125AA China ID: 2012DJ3682 Singapore: Registration Number S0655-07	
EMC	EN 50295	(1999-03)
Shock resistance	EN 60068-2-29:	40 (6 ms)
	EN 60068-2-27:	50 g (11 ms)
Vibration resistance	EN 60068-2-6:	20 g (10...2000 Hz)

**Safety classification**

MTTF	[a]	422
------	-----	-----

**AS-i classification**

AS-i profile	7.3	
I/O configuration [hex]	7	
ID code [Hex]	3	
AS-i certificate	71502	

**Mechanical data**

Housing materials	PA (polyamide)	
Weight	[kg]	0.138

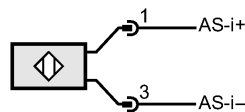
**Displays / operating elements**

Display	3 LED green: operating voltage yellow: tag read red: error AS-i data communication
---------	---

**Electrical connection**

Connection	M12 connector; rotatable
------------	--------------------------

**Wiring**



**Remarks**

Remarks	*) referred to the ID tag E80301 (middle of the screw) For the distances to other ID tags see the respective data sheet (E803xx) **) referred to the read/write head DTA100 and read head DTA101 ¹) cULus - Class 2 source required
---------	--

Pack quantity	[piece]	1
---------------	---------	---

**Other data**

Data provision time [ms]	≤ 70	
--------------------------	------	--