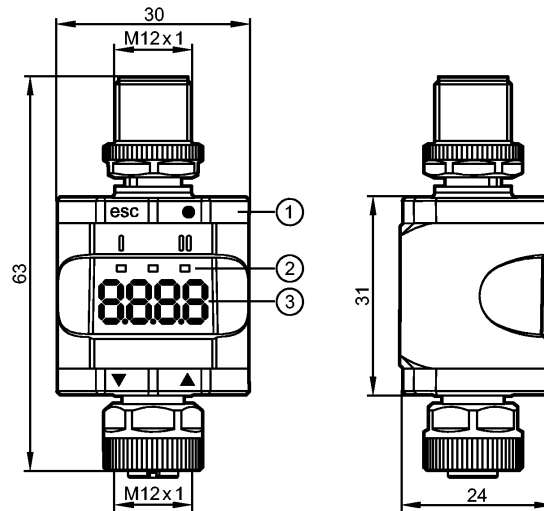


**DP2200**

Analog Threshold Displ./4-20mA

Evaluation systems, power supplies



- 1: Push ring
- 2: LEDs
- 3: Display

CE IO-Link

**Product characteristics**

Threshold display
M12 connectors
4...20 mA analogue input
transistor output
IO-Link interface
4-digit alphanumeric display / alternating indication of red and green
Conversion of analogue measured values to an IO-Link communication

**Application**

Application	Decentralised display, preprocessing and conversion of 4...20 mA analogue signals
-------------	---

**Electrical data**

Nominal voltage	[V]	24 DC
Operating voltage	[V]	18...30 DC; to SELV/PELV
Current consumption	[mA]	≤ 375 (24 V DC, full load)

**Inputs**

analog	
Analog input	4...20 mA
Sensor supply	from the operating voltage (≤ 800 mA)

**Outputs**

digital	
Output function	normally open / closed programmable
Voltage range	[V] 10...30 DC SELV
Max. current load per output	[mA] ≤ 50
analog	
Analog output	4...20 mA

**Accuracy / deviations**

Accuracy	[% of the final value]	0.5
----------	------------------------	-----

**Interfaces**

IO-Link Device
----------------

## DP2200

Analog Threshold Displ./4-20mA

Evaluation systems, power supplies

Transfer type	COM2 (38.4 kBaud)
IO-Link revision	1.1
SDCI standard	IEC 61131-9
IO-Link Device ID	610 d / 00 02 62 h
Profiles	Smart Sensor
SIO mode	yes
Required master port class	A
Process data analogue	1
Process data binary	1
Min. process cycle time [ms]	3.0

### Environment

Ambient temperature [°C]	-25...60
Storage temperature [°C]	-25...70
Max. relative air humidity [%]	90, linearly decreasing to 50 % (40 °C), non condensing
Height above sea level [m]	≤ 2000
Permissible air pressure [hPa]	750...1060
Protection	IP 67

### Mechanical data

Housing materials	PA (polyamide)
Weight [kg]	0.1

### Displays / operating elements

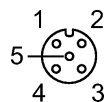
Display	7-segment LED display 4-digit red/green programmable
Output status indication LED	yellow
Power LED	green

### Electrical connection

#### Wiring



- M12: plug
- 1: L+ supply
  - 2: OUT2 analog output
  - 3: L- supply
  - 4: OUT1 Switching output 1 or IO-Link (C/Q)



- M12: Socket
- 1: L+ Sensor supply
  - 2: 4...20 mA analog input
  - 3: L- Sensor supply
  - 4: not used
  - 5: not used

### Accessories

Accessories (optional)	mounting clip
------------------------	---------------

### Remarks

Remarks	Further information is available in the manual.
Pack quantity [piece]	1