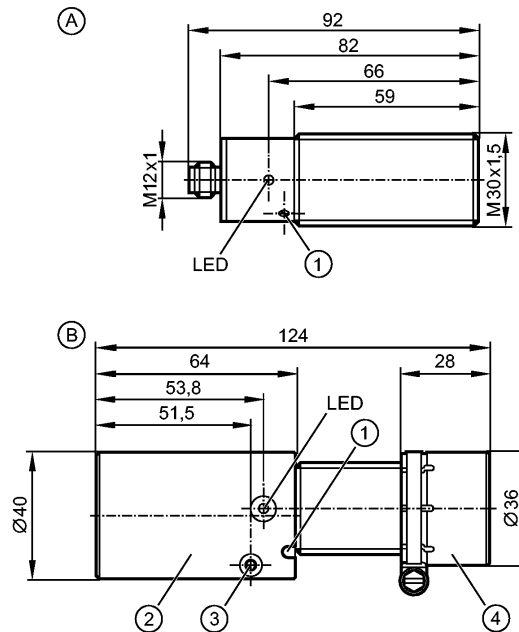


DI506A

DIA3010-ZPKG/US/3D/5S

Evaluation systems, power supplies



- A: Sensor
- B: sensor with impact protection housing
- 1: potentiometer
- 2: impact protection housing for the connector
- 3: clamping screw
- 4: impact protection housing for the sensor



Product characteristics	
Compact speed monitor M30	
DIA	
M30 x 1.5	
Quick disconnect	
ATEX approval	
Group II, category 3D	
Inductive sensor	
Sensing range 10 mm [f]	
flush mountable	
Application	
Application	simple evaluation of rotating and linear movement with regard to underspeed; blocking
Switching function	output is switched during the start-up delay and if (f actual) is greater than (f preset)
Electrical design	DC PNP
Switching output	normally open
Electrical data	
Nominal voltage [V]	10...36 DC
Current consumption [mA]	< 15
Reverse polarity protection	yes
Protection class	III
Outputs	
Transistor	
Current rating (continuous) [mA]	250

DI506A

DIA3010-ZPKG/US/3D/5S

Evaluation systems, power supplies

Current rating (peak)	[mA]	250
Switching frequency	[Hz]	100
Voltage drop	[V]	< 2.5
Short-circuit proof		yes
Overload protection		yes

Monitoring range

Sensing range	[mm]	10, without impact protection housing [f], with impact protection housing [nf] 7 mm
Real sensing range (Sr)	[mm]	10 ± 10 %; without impact protection housing (f)
Operating distance	[mm]	0...5
Correction factors		mild steel = 1 / stainless steel approx. 0.7 / brass approx. 0.5 / aluminium approx. 0.4 / copper approx. 0.3

Measuring / setting range

Setting range	[pulses/min.]	5...300
Adjustment of the switch point		multiturn potentiometer
Hysteresis	[% of Sp]	10
Start-up delay	[s]	5 *)

Reaction times

Damping frequency (max.)	[pulses/min]	15000
--------------------------	--------------	-------

Environment

Ambient temperature	[°C]	-20...50
Protection		IP 67

Tests / approvals

Marking of the unit		⊕ II 3D Ex tc IIIC T80°C Dc IP67 U ***)
EMC		EN 60947-5-2

Mechanical data

Mounting		flush mountable
Housing materials		brass special coating; PBT; PPE; TPE-U; PA 6.6
Weight	[kg]	0.302

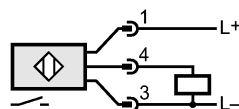
Displays / operating elements

Input pulses	LED	yellow
Output status indication	LED	green

Electrical connection

Connection		M12 connector
------------	--	---------------

Wiring



Accessories

Accessories (included)		2 lock nuts; impact protection housing; Mounting clamp
------------------------	--	--

Remarks

Remarks		*) typical
---------	--	------------



DI506A

DIA3010-ZPKG/US/3D/5S

Evaluation systems, power supplies

***) only in conjunction with the impact protective housing

Pack quantity

[piece]

1