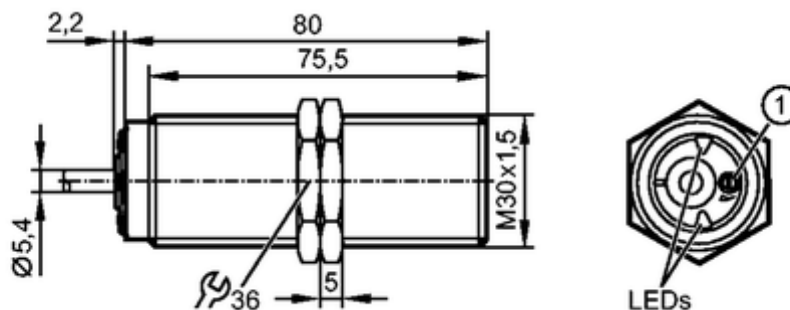




## DI0101

DIA2010-ZROA/5-3600 I/MIN

Evaluation systems, power supplies



1: potentiometer



### Product characteristics

Compact speed monitor M30

DIA

M30 x 1.5

Cable

Inductive sensor

Sensing range 10 mm [f]

flush mountable

### Application

Application	simple evaluation of rotating and linear movement with regard to underspeed; blocking
Switching function	output is switched during the start-up delay and if (f actual) is greater than (f preset)
Electrical design	AC/DC
Switching output	normally open

### Electrical data

Nominal voltage [V]	20...250 AC/DC (45...65 Hz, AC)
Reverse polarity protection	yes
Protection class	II

### Outputs

#### Transistor

Current rating (continuous) [mA]	350 AC, 50 °C / 250 AC, 80 °C / 100 DC, 80 °C
Current rating (peak) [mA]	2200 (20 ms / 0.5 Hz)
Minimum load current [mA]	> 6
Leakage current [mA]	< 1.5
Voltage drop [V]	< 7.5
Short-circuit proof	no
Overload protection	no

### Range

Sensing range (Sn) [mm]	10
Real sensing range (Sr) [mm]	10 ± 10 %
Operating distance [mm]	0...8.1

Correction factors	mild steel = 1 / stainless steel approx. 0.8 / brass approx. 0.5 / Al approx. 0.5 / Cu approx. 0.4
--------------------	----------------------------------------------------------------------------------------------------

### Measuring / setting range

Setting range [pulses/min.]	5...3600
Adjustment of the switch point	multiturn potentiometer
Hysteresis [% of Sp]	10
Start-up delay [s]	12

### Reaction times

Damping frequency (max.) [pulses/min]	4800 *)
---------------------------------------	---------

### Environment

Ambient temperature [°C]	-25...80
Protection	IP 65 / IP 67

### Tests / approvals

EMC	EN 60947-5-2
-----	--------------

### Mechanical data

Mounting	flush mountable
Housing materials	Brass special coating; PA (polyamide); TPE-U
Weight [kg]	0.296

### Displays / operating elements

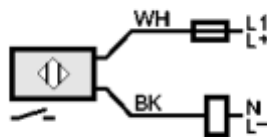
Output status indication LED	2 x yellow
------------------------------	------------

### Electrical connection

Connection	PUR cable / 2 m; 2 x 0.5 mm <sup>2</sup>
------------	------------------------------------------

### Wiring

Core colours  
 BK black  
 WH white



Note: miniature fuse to IEC60127-2 sheet 1,  
 $\leq 2$  A (fast acting)

### Accessories

Accessories (included)	2 lock nuts
------------------------	-------------

### Remarks

Remarks	Recommendation: check the unit for reliable function after a short circuit. *) bei Sn/2
---------	--------------------------------------------------------------------------------------------

Pack quantity [piece]	1
-----------------------	---

ifm electronic gmbh • Friedrichstraße 1 • 45128 Essen — We reserve the right to make technical alterations without prior notice. — GB — DI0101 — 08.03.2016