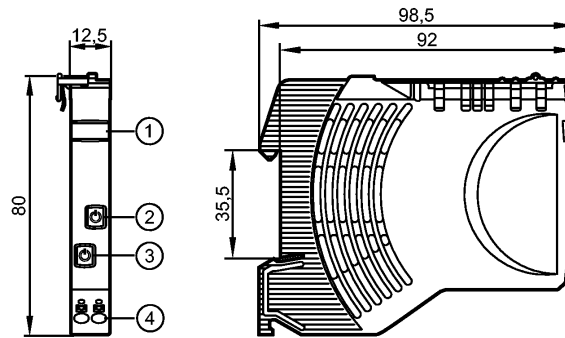


**DF2214**

Fuse/IO-Link/24VDC/2x4A

Evaluation systems, power supplies



- 1: label
- 2: ON/OFF/reset button and Status-LED (channel 2)
- 3: ON/OFF/reset button and Status-LED (channel 1)
- 4: Push-in terminals outputs 1/2



**Product characteristics**

Circuit protection module, IO-Link
Nominal current (Fail-safe element) 2 x 4 A
for supply module DF2100

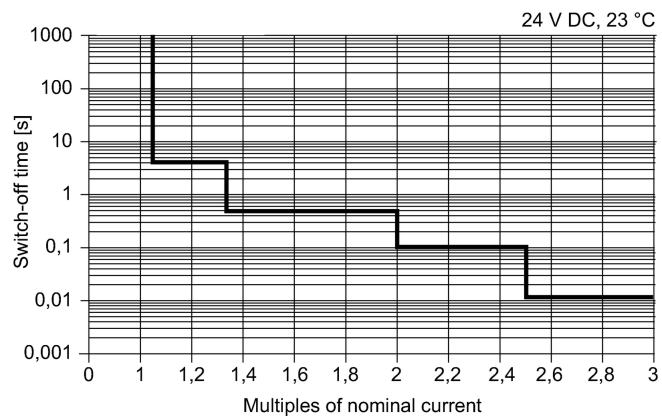
**Application**

Application	Circuit protection with monitoring function for the 24 V DC secondary circuit. Modular and selective protection in plant and machinery. Via IO-Link detection of triggering cause and current and voltage measurement in each channel.
-------------	--

**Electrical data**

Input voltage range [V]	19.2...30 DC; to SELV/PELV
Nominal voltage [V]	24 DC
Nominal current [A]	2 x 4 A
Mains buffering time [ms]	10
Protection class	III
Closed-circuit current [mA]	8

**Output curve**



Time-current characteristics

**Outputs**

Load capacitance, total [mF]	≤ 15
------------------------------	------

**Environment**

Ambient temperature [°C]	-25...60
Storage temperature [°C]	-40...70

## DF2214

Fuse/IO-Link/24VDC/2x4A

Evaluation systems, power supplies

Protection	IP 20; on the front
Degree of soiling	2

### Tests / approvals

EMC	EN 61000-6-3 EN 61000-6-2	/ radiation of interference / noise immunity
-----	------------------------------	---

### Mechanical data

Installation	rail TH35 (to EN 60715)
Weight [kg]	0.075

### Displays / operating elements

Function display	LED	status LEDs
------------------	-----	-------------

### Electrical connection

Connection	push-in terminals; contact lever/strip
------------	--

### Wiring

