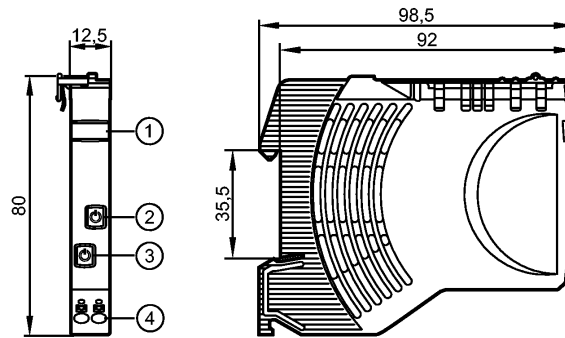


DF2212

Fuse/IO-Link/24VDC/2x2A

Evaluation systems, power supplies



- 1: label
- 2: ON/OFF/reset button and Status-LED (channel 2)
- 3: ON/OFF/reset button and Status-LED (channel 1)
- 4: Push-in terminals outputs 1/2



Product characteristics

Circuit protection module, IO-Link

Nominal current (Fail-safe element) 2 x 2 A

for supply module DF2100

Application

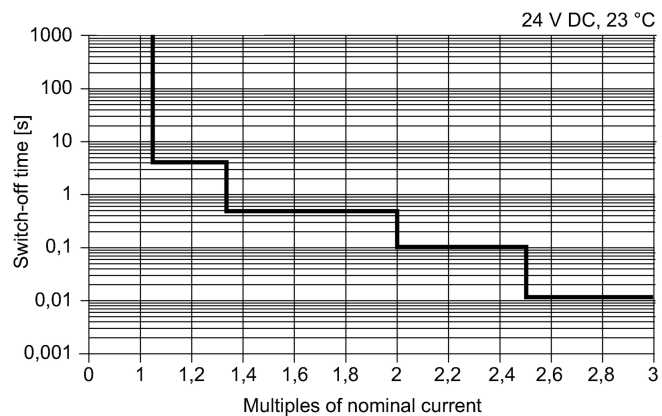
Application

Circuit protection with monitoring function for the 24 V DC secondary circuit.
Modular and selective protection in plant and machinery.
Via IO-Link detection of triggering cause and current and voltage measurement in each channel.

Electrical data

Input voltage range [V]	19.2...30 DC; to SELV/PELV
Nominal voltage [V]	24 DC
Nominal current [A]	2 x 2 A
Mains buffering time [ms]	10
Protection class	III
Closed-circuit current [mA]	8

Output curve



Time-current characteristics

Outputs

Load capacitance, total [mF]	≤ 10
------------------------------	------

Environment

Ambient temperature [°C]	-25...60
Storage temperature [°C]	-40...70

DF2212

Fuse/IO-Link/24VDC/2x2A

Evaluation systems, power supplies

Protection	IP 20; on the front
Degree of soiling	2

Tests / approvals

EMC	EN 61000-6-3 EN 61000-6-2	/ radiation of interference / noise immunity
-----	------------------------------	---

Mechanical data

Installation	rail TH35 (to EN 60715)
Weight [kg]	0.075

Displays / operating elements

Function display	LED	status LEDs
------------------	-----	-------------

Electrical connection

Connection	push-in terminals; contact lever/strip
------------	--

Wiring

