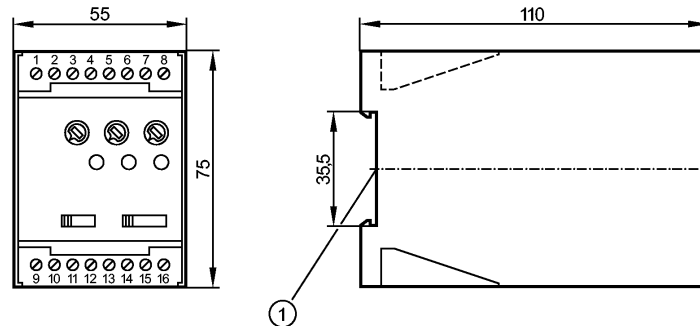


no longer available - archive entry

replaced by: DD0203

Article discontinued as of 31.March 2015



1: Mounting on DIN rail



Product characteristics

Speed monitor

D100

Housing for DIN rail mounting

relay and transistor output

Application

Application	evaluation of pulse sequences with regard to overspeed and underspeed; rotational speed monitoring
Switching function	F1-F4, with 4-step slide switch
Switching output	1 relay (1 changeover contact); transistor output (pnp / 24 V DC; $\pm 20\%$ / 200 mA)

Electrical data

Nominal voltage	[V]	27...60 AC/DC (50...60 Hz) / 27 DC (typ. 24 DC)
Voltage tolerance	[%]	-20...+10
Power consumption	[VA]	5
Sensor supply	[V]	24 DC (max. 30mA)

Inputs

Input frequency (max.) [pulses/min]	15000 (250 Hz)
-------------------------------------	----------------

Outputs

Relay	
Contact rating	6 A (250 V AC); B300, R300

Measuring / setting range

Setting range	[pulses/min.]	5...5000
Adjustment of the switch point		3 ranges preselectable, fine adjustment with potentiometer
Hysteresis	[% of Sp]	5...100
Start-up delay	[s]	0.5...15

Accuracy / deviations

Repeatability	[% / Sp]	1
---------------	----------	---

Environment

Ambient temperature	[°C]	-20...70
Protection housing / terminals		IP 40 / IP 20

Safety classification

DD0122

D100/ 27-60VAC/DC

Evaluation systems, power supplies

MTTF	[a]	308
------	-----	-----

Mechanical data

Housing materials		plastics
Weight	[kg]	0.29

Displays / operating elements

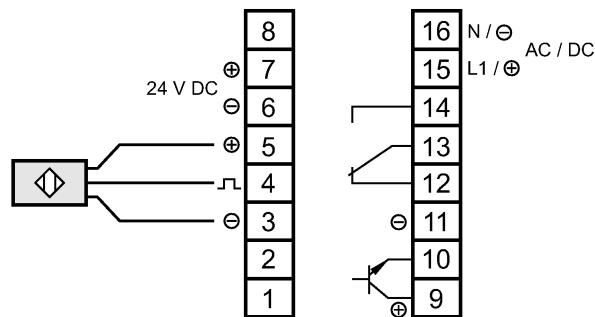
Power	LED	green
Input pulses	LED	yellow
Output status indication	LED	green (lights when the output relay is energised)

Electrical connection

Connection		16 terminals...2.5 mm ² (AWG 14)
------------	--	---

Wiring

- 01: n.c.
- 02: n.c.
- 03: DC Sensor supply (-)
- 04: sensor signal pnp
- 05: DC Sensor supply (+)
- 06: DC Supply voltage (-)
- 07: DC Supply voltage (+)
- 08: n.c.
- 09: transistor output supply (+)
- 10: transistor output pnp
- 11: transistor output supply (-)
- 12: Relay (normally closed)
- 13: Relay (common)
- 14: Relay (normally open)
- 15: AC/DC Supply voltage (L/+)
- 16: AC/DC Supply voltage (N/-)



n.c. = not connected

Remarks

Pack quantity	[piece]	1
---------------	---------	---

ifm efector, inc. • 1100 Atwater Drive • Malvern • PA 19355 — We reserve the right to make technical alterations without prior notice. — US — DD0122 — 10.12.2014

no longer available - archive entry

replaced by: DD0203

Article discontinued as of 31.March 2015