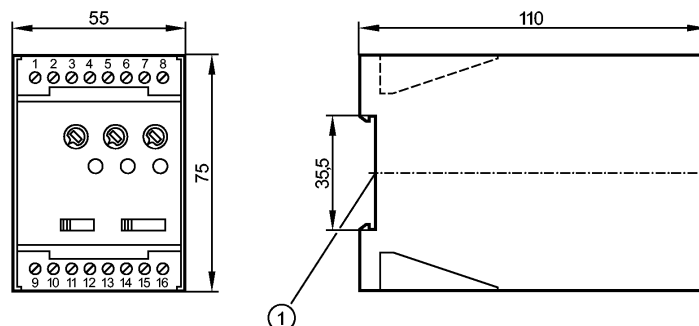


no longer available - archive entry

replaced by: DD0203

Article discontinued as of 31.March 2015



1: Mounting on DIN rail



Product characteristics

Speed monitor

D100

Housing for DIN rail mounting

Application

Application	evaluation of pulse sequences with regard to overspeed and underspeed; rotational speed monitoring
Switching function	F1-F4, with 4-step slide switch
Switching output	relay (1 changeover contact)

Electrical data

Nominal voltage	[V]	230 AC (50...60 Hz) / 24 DC
Voltage tolerance	[%]	± 10
Sensor supply	[V]	24 DC (max. 30mA)

Inputs

Digital	1
Input frequency (max.) [pulses/min]	15000 (250 Hz)

Outputs

Relay	1
Relay	1
Contact rating	8 A / 1250 VA / 250 V AC

Measuring / setting range

Setting range	[pulses/min.]	5...5000
Adjustment of the switch point		3 ranges preselectable, fine adjustment with potentiometer
Hysteresis	[% of Sp]	5...100
Start-up delay	[s]	0.5...15

Accuracy / deviations

Repeatability	[% / Sp]	1
---------------	----------	---

Environment

Ambient temperature	[°C]	-20...70
Protection housing / terminals		IP 40 / IP 20

Safety classification



DD0001

D100/230VAC

Evaluation systems, power supplies

MTTF [a] 468

Mechanical data

Housing materials plastics

Weight [kg] 0.42

Displays / operating elements

Power LED green

Input pulses LED yellow

Output status indication LED green (lights when the output relay is energised)

Electrical connection

Connection 16 terminals...2.5 mm²

Wiring

01: n.c.

02: n.c.

03: DC Sensor supply (-)

04: sensor signal pnp

05: DC Sensor supply (+)

06: DC Supply voltage (-)

07: DC Supply voltage (+)

08: n.c.

09: n.c.

10: n.c.

11: n.c.

12: Relay (normally closed)

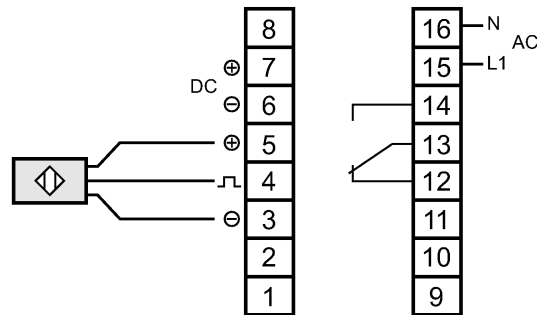
13: Relay (common)

14: Relay (normally open)

15: AC Supply voltage (L)

16: AC Supply voltage (N)

n.c. = not connected



Remarks

Pack quantity [piece] 1

ifm efector, inc. • 1100 Atwater Drive • Malvern • PA 19355 — We reserve the right to make technical alterations without prior notice. — US — DD0001 — 04.12.2014

no longer available - archive entry

replaced by: DD0203

Article discontinued as of 31.March 2015