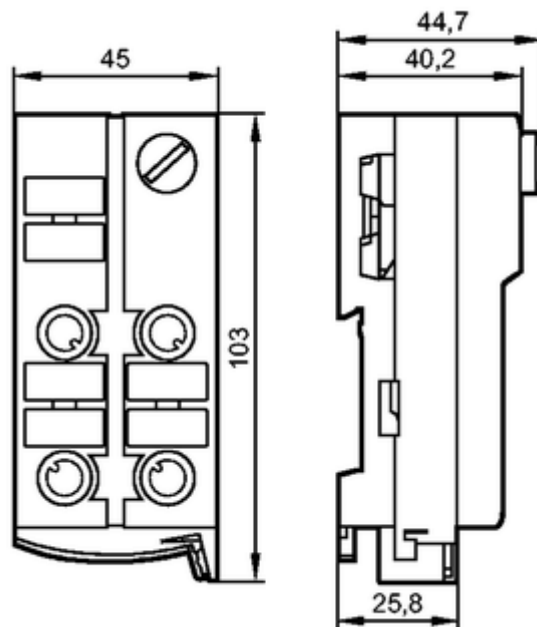


**ecomat300****AC5205**

ClassicLine 4DI IP67

Bus system AS-Interface

**Product characteristics**

Active ClassicLine module

AS-i flat cable connection

Sockets M12 x 1

Addressing socket

Three orientations of the flat cable are possible

Digital inputs

**Electrical data**

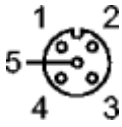
Electrical design	4 inputs
Operating voltage [V]	26.5...31.6 DC; "supply class 2" to cULus.
Total current consumption from AS-i [mA]	< 250

**Inputs****Digital**

Circuit	DC PNP
Sensor supply	AS-i
Voltage range [V]	18...30 DC *)
Max. current load for all inputs total [mA]	200
Input current High/Low [mA]	6...10 / 0...2
Switching level High signal 1 [V]	>11
Short-circuit proof	yes

**Environment**

Ambient temperature [°C]	-25...70
Protection	IP 67

Tests / approvals					
EMC	EN 50295				
	IEC 61000-6-2				
MTTF [Years]	404				
AS-i classification					
AS-i version	2.11 + 3.0				
Extended addressing mode possible	no				
AS-i profile	S-0.0.E				
I/O configuration [hex]	0				
ID code [Hex]	0.E				
AS-i certificate	in preparation				
Data bits	<b>Data bit</b>	<b>D0</b>	<b>D1</b>	<b>D2</b>	<b>D3</b>
	Input	1	2	3	4
	Socket	I-1	I-2	I-3	I-4
	Pin	2+4	2+4	2+4	2+4
Mechanical data					
Housing materials	PA; Piercing contacts: CuSn6 surface nickel and tin-plated				
Weight [kg]	0.183				
Displays / operating elements					
Operation LED	green				
Error LED	Red				
Function display LED	yellow				
Electrical connection					
<b>Wiring</b>					
					
	1:	Inputs			
	2+4:	Sensor supply L+			
	3:	Data input (internally linked)			
	3:	Sensor supply L-			
	5:	not used			
Accessories					
Accessories (included)	lower part				
Accessories (optional)	Addressing cable E70213; M12 protective cap (E73004)				
Remarks					
Remarks	<p>Verwenden Sie ausschließlich das Adressierkabel E70213. Bei Verwendung von Adressierkabeln anderer Hersteller sind Kurzschlüsse oder irreparable Verformungen der Adressierbuchse nicht auszuschließen.</p> <p>Do not connect any of the points I-, I+, I1, I2, I3, I4 to an external potential since they are electrically connected to the AS-i cable.</p> <p>*) via flat cable</p>				
Pack quantity [piece]	1				

ifm electronic gmbh • Friedrichstraße 1 • 45128 Essen — We reserve the right to make technical alterations without prior notice. — GB — AC5205 — 03.12.2010