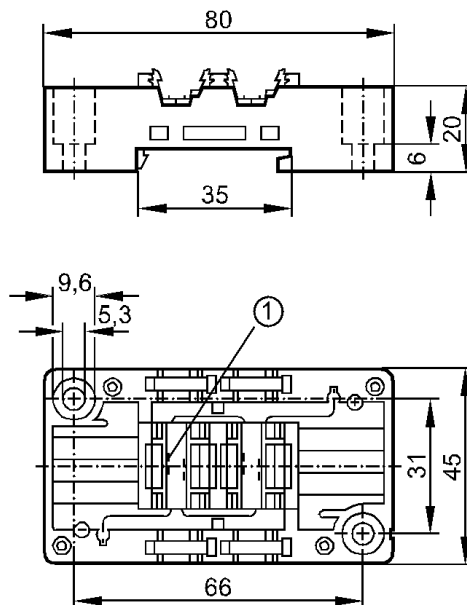


**ecomat300****AC5000**

ASI-MODUL-UNTERTEIL FK

Bus system AS-Interface



1: contact pins

**Product characteristics**

Module lower part flat cable

Mounting on DIN rail and panel

Quick mounting technology for AS-i flat cable

AS-i interface to module upper part

**Electrical data**

Electrical design FC coupling module

Operating voltage [V] 26.5...31.6 DC

**Environment**

Ambient temperature [°C] -25...85

Protection IP 67; IP 20 / IP 65 / IP 67 depending on the upper part used

**Mechanical data**

Housing materials PBT (Pocan)

Weight [kg] 0.059

**Electrical connection**

Connection via contact pins in the unit

Contact rating &lt; 2 A

**Remarks**

Pack quantity [piece] 1

ifm electronic gmbh • Friedrichstraße 1 • 45128 Essen — We reserve the right to make technical alterations without prior notice. — GB — AC5000 — 10.10.2003