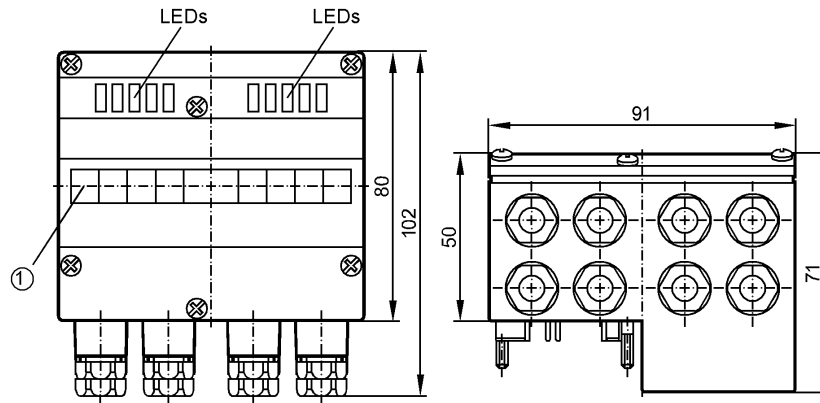


## AC2620

UniversalModule 4AI(Pt100)IP65

AS-Interface bus system



1: label



### Product characteristics

Active AS-i module IP 65

AS-i interface to FC lower parts

Connection via cage clamps

4 analog inputs  
temperature Pt100

AS-i profile S-7.3

### Electrical data

Electrical design		4 inputs Pt100
Operating voltage	[V]	26.5...31.6 DC
Total current consumption from AS-i	[mA]	< 80
AS-i interface reverse polarity protection		yes

### Inputs

digital		
Circuit		4 inputs Pt100
Sensor supply		AS-i
Voltage range	[V]	24 DC $\pm$ 20 %
Max. current load for all inputs total	[mA]	20
Short-circuit proof		yes

### Outputs

analog		
Resolution	[Bit]	16bit /0.1°C

### Measuring / setting range

value range	[°C]	-200...850
-------------	------	------------

### Accuracy / deviations

Accuracy		linear change from $\pm$ 0.2 °C (-200 °C) ... $\pm$ 2 °C (800 °C)
----------	--	-------------------------------------------------------------------

### Reaction times

A/D conversion time [ms]		480 (4 channels)
--------------------------	--	------------------

### Environment

Ambient temperature	[°C]	0...70
---------------------	------	--------



## AC2620

UniversalModule 4AI(Pt100)IP65

AS-Interface bus system

Storage temperature	[°C]	-25...85
Protection		IP 65

### Tests / approvals

EMC		EN 50295
MTTF	[Years]	150

### AS-i classification

AS-i profile		S-7.3.E
I/O configuration [hex]		7
ID code [Hex]		3.E
AS-i certificate		in preparation
Parameter bits	<b>Parameter bit</b>	<b>Designation</b>
	P0	filter: 1* 50 Hz filter in the A/D converter active / 0 60 Hz filter in the A/D converter active (* default)
	P1	periphery fault: 1 coding periphery fault / 0 coding periphery fault
	P2	periphery fault: 1 coding periphery fault / 0 coding periphery fault
	P3	selection Pt100 elements: 1 2-wire mode / 0 3-wire mode

### Mechanical data

Housing materials		PBT
Weight	[kg]	0.293

### Displays / operating elements

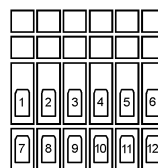
Output status indication	LED	green (status channel 1 - analog 1 / status channel 2 - analog 2 / status channel 3 - analog 3 / status channel 4 - analog 4)
Power	LED	green (AS-i: AS-i voltage)
Error	LED	red (FAULT: AS-i communication error / periphery fault)

### Electrical connection

Connection		via contact pins to FC or SC lower part
Connection of the sensors		2 wires / 3 wires

#### Wiring

- 1: Channel 1+
- 2: S1-
- 3: Channel 1-
- 4: Channel 2+
- 5: S2
- 6: Channel 2-
- 7: Channel 3+
- 8: S3-
- 9: Channel 3-
- 10: Channel 4+
- 11: S4-
- 12: Channel 4-



### Remarks

Pack quantity	[piece]	1
---------------	---------	---