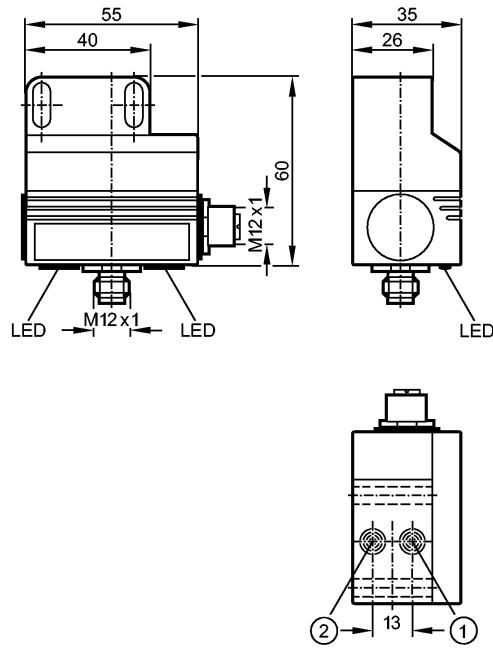


AC2316

DUAL SENSOR T5 2SI 1DO T M12

Valve sensors



1: sensor 1
2: sensor 2



Product characteristics

- Doppelsensor mit Aktuatoranschaltung
- Quick disconnect
- 2 induktive Positionssensoren integriert
- Version 2.1 mit erweitertem Adressmodus
- Sensing range 4 mm; [nf] non-flush mountable

Electrical data

Electrical design	AS-i
Operating voltage [V]	26.5...31.6 DC; cULus - Class 2 source required
Current consumption [mA]	< 160

Outputs

Output function	transistor PNP
Current rating [mA]	100

Monitoring range

Sensing range [mm]	4
--------------------	---

Environment

Ambient temperature [°C]	-20...70
Protection	IP 67

Tests / approvals

EMC	EN 50295 EN 61000-6-2
MTTF [Years]	310

AS-i classification

AS-i version	2.1
Extended addressing mode possible	yes
AS-i profile	S-0.A.F

AC2316

DUAL SENSOR T5 2SI 1DO T M12

Valve sensors

I/O configuration [hex]	0
ID code [Hex]	A.F
AS-i certificate	74901

Mechanical data

Mounting	non-flush mountable
Housing materials	PBT (Pocan); connector housing: stainless steel (303S22)
Weight [kg]	0.18

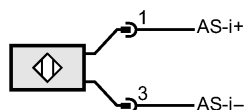
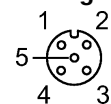
Displays / operating elements

Output status indication	LED	2 x yellow
--------------------------	-----	------------

Electrical connection

Connection	M12 connector
------------	---------------

Wiring



Accessories

Accessories (included)	reinforcement bracket; 2 socket head screws M5 x 35; 2 washers
------------------------	--

Remarks

Pack quantity	[piece]	1
---------------	---------	---