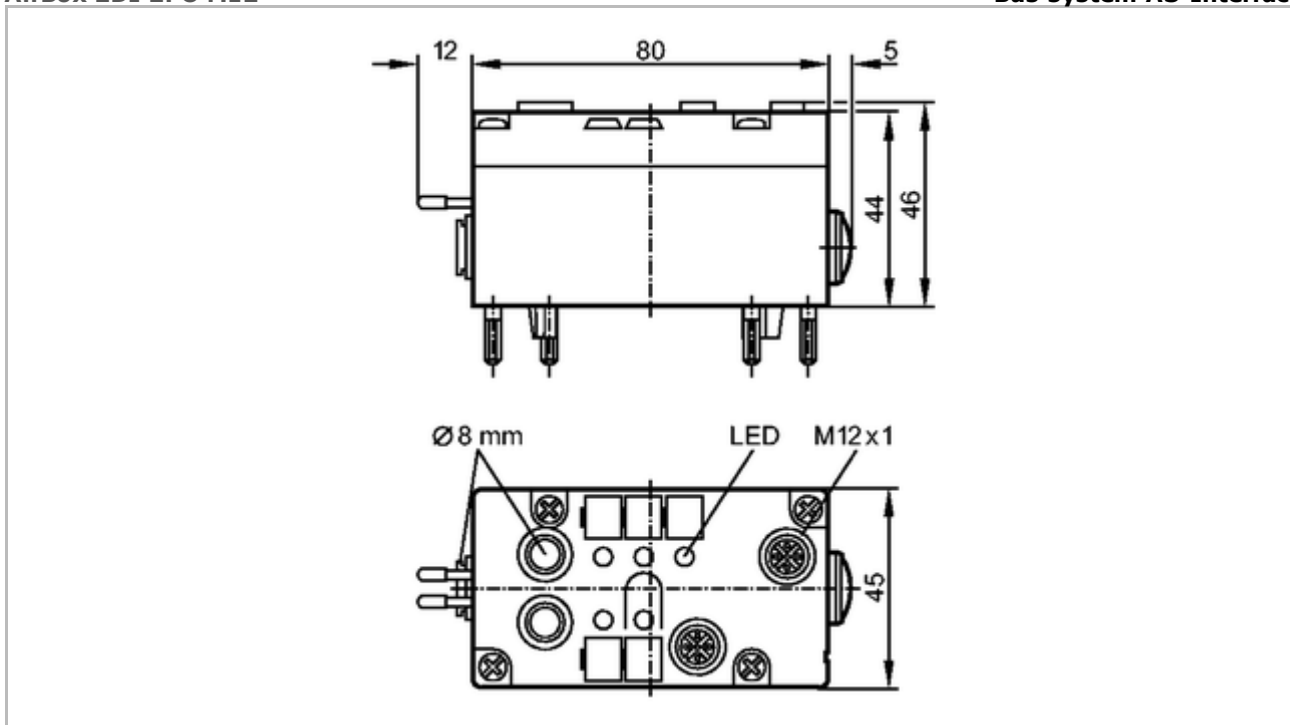


ecomat300**AC2024**

AirBox 2DI 2PO M12

Bus system AS-Interface

**Product characteristics**

AS-i AirBox

AS-i interface to FC and SC lower parts

Sockets M12 x 1

2 digital inputs

2 pneumatic outputs

Electrical data

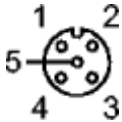
Electrical design	2 inputs / 2 outputs
Operating voltage [V]	26.5...31.6 DC
Total current consumption from AS-i [mA]	< 150

Inputs**Digital**

Circuit	PNP
Sensor supply	AS-i
Voltage range [V]	20...30 DC
Max. current load for all inputs total [mA]	100
Input current High/Low [mA]	> 3 / < 1.5
Switching level High signal 1 [V]	> 10
Short-circuit proof	yes

Outputs**Digital**

Output function	integrated exhaust
Integrated watchdog	yes

Environment					
Ambient temperature [°C]	0...55, use below 0 °C possible with a special compressed air treatment				
Protection	IP 65				
Tests / approvals					
EMC	EN 50295				
AS-i classification					
AS-i profile	S-3.F				
I/O configuration [hex]	3				
ID code [Hex]	F				
AS-i certificate	10501				
Data bits	Data bit	D0	D1	D2	D3
	In-/Outputs	I-1	I-2	O-3	O-4
Mechanical data					
Pneumatic system	two 3/2-way valves				
Operating pressure range [bar]	2...8 **)				
Air flow at 6/5 bar [NI/min]	350				
Air flow at 6/0 bar [NI/min]	550				
Permissible compressed air	filtered (5 µm); lubricated (ISO-VG10) or not lubricated				
Tube fitting [type/mm]	Legris LF 3000/8				
Housing materials	PBT				
Weight [kg]	0.255				
Displays / operating elements					
Operation LED	green				
Function display LED	yellow				
Electrical connection					
Connection	contact pins on FC or SC lower module				
Wiring					
		Inputs 1: Sensor supply L+ 2+4: (Internally linked) Data input 3: Sensor supply L-			
Remarks					
Remarks	**) incl. possible pressure peaks 1) Notes on compressed air and EMC/ESD at www.ifm.com				
Pack quantity [piece]	1				

ifm electronic gmbh • Friedrichstraße 1 • 45128 Essen — We reserve the right to make technical alterations without prior notice. — GB — AC2024 — 07.11.2008