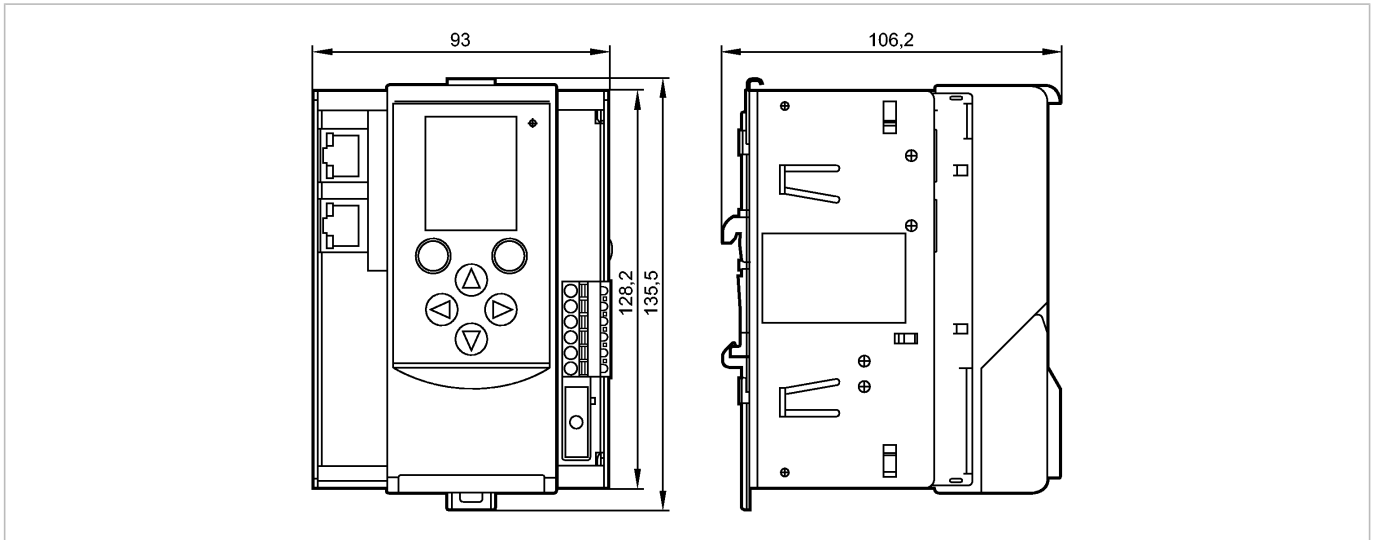


AC1402

AS-i Gateway 2Master PN

AS-Interface bus system



Product characteristics

AS-i Profinet gateway
Housing for DIN rail mounting
AS-i master
Ethernet configuration interface with dynamic web interface for configuration and diagnosis including remote maintenance
Profinet RT device class B
LCD colour display
Device supply either via 24 V or AS-i (AS-i bus 1)

Application

Application	Use as AS-i Profinet gateway
-------------	------------------------------

Electrical data

Number of AS-i masters	2
Operating voltage [V]	18...32 DC (AUX) / 21...31.6 DC (AS-i)
Current consumption from 24 V DC and AS-i [mA]	< 500 (24 V) / < 10 from AS-i 1 / < 10 from AS-i 2
Current consumption from AS-i (without external supply) [mA]	< 500 via AS-i 1 / < 10 via AS-i 2
Electrical separation	yes

Outputs

External voltage supply	according to PELV
-------------------------	-------------------

Interfaces

Programming interface	Ethernet; RJ 45; 10/100 MBaud
Data interface	Profinet RT Device Class B, 100 MBaud

Environment

Ambient temperature [°C]	0...60
Storage temperature [°C]	-20...70
Protection	IP 20

AS-i classification

AS-i version	3.0
AS-i profile	M4
AS-i certificate	97301



AC1402

AS-i Gateway 2Master PN

AS-Interface bus system

Mechanical data

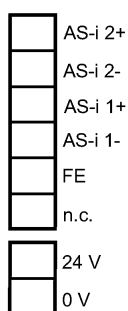
Housing materials	aluminum powder-coated; steel sheet galvanised; Makrolon
Weight [kg]	0.707

Displays / operating elements

Display	full graphic LCD display
Function display LED	1 x red / green (combined LED)

Electrical connection

Wiring



Accessories

Accessories (included)	terminals
Accessories (optional)	Software (E71400)

Remarks

Pack quantity [piece]	1
-----------------------	---